

WATTAGE AND CCT SELECTABLE LED TROFFER DOOR RETROFIT



APPLICATIONS

- Offices
- Educational
- Retail
- Healthcare
- Commercial
- Institutional

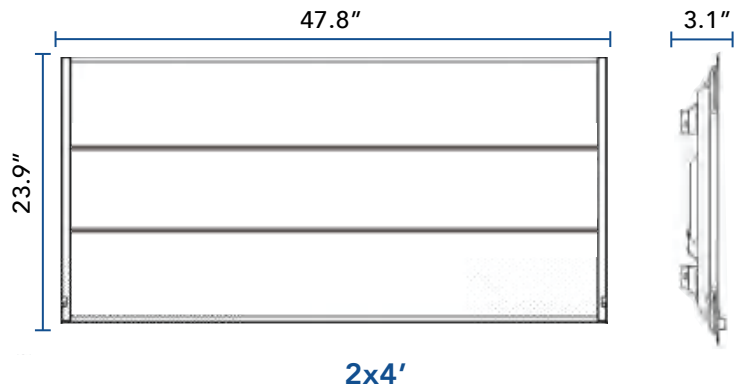
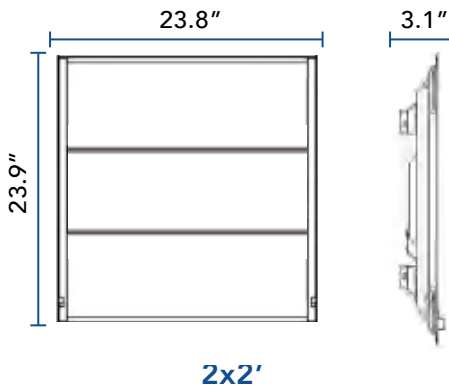
PRODUCT SPECIFICATIONS

WATTAGES	2x2'- 20W/25W/30W (selectable) 2x4'- 25W/30W/35W (selectable)
COLOR TEMPS	35K/40K/50K (selectable)
EFFICACY	140 lm/W
LUMENS	20W- 2,800; 25W- 3,500; 30W- 4,200; 35W- 4,900
INPUT VOLTAGE	120/277VAC
CRI	Ra<80
DIMMABLE	0-10V
OPERATING TEMP	-22° to 104°F
DIMENSIONS	2x2'- 23.8" x 3.1" x 23.9" 2x4'- 47.8" x 3.1" x 23.9"
LISTED	UL
WARRANTY	5 year
PART NUMBERS	ZL-22-30W-L-H-TRK ZL-24-35W-L-H-TRK



An integrated, easy-to-install door retrofit that turns an old troffer into a brand-new looking fixture—without the hassle of removing the original.

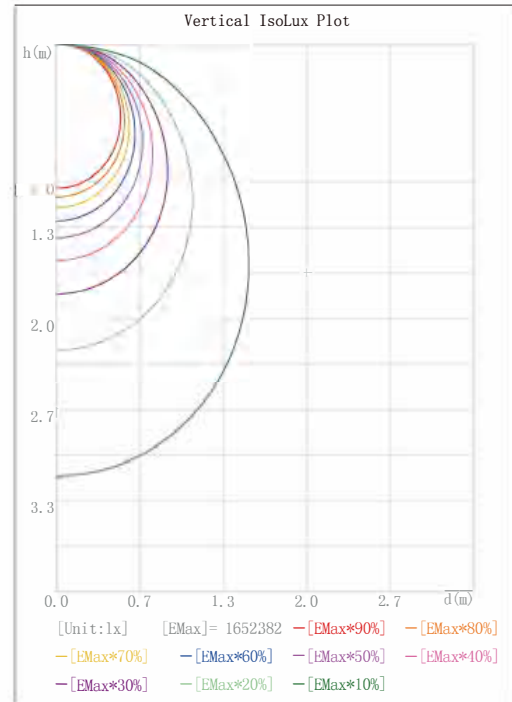
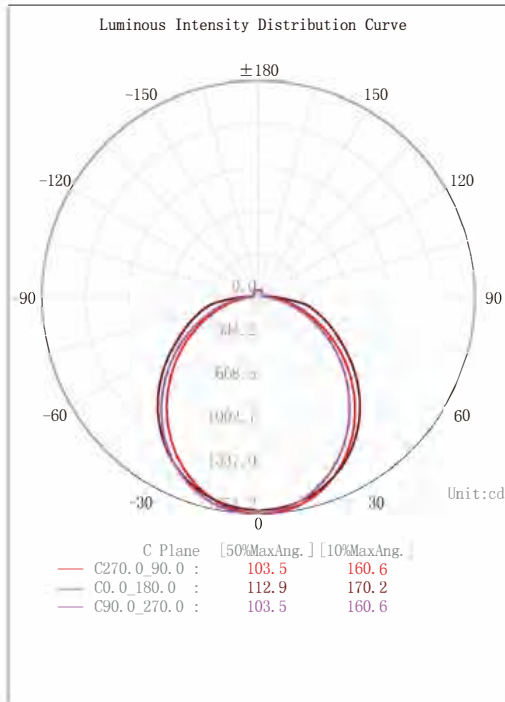
DIMENSIONS



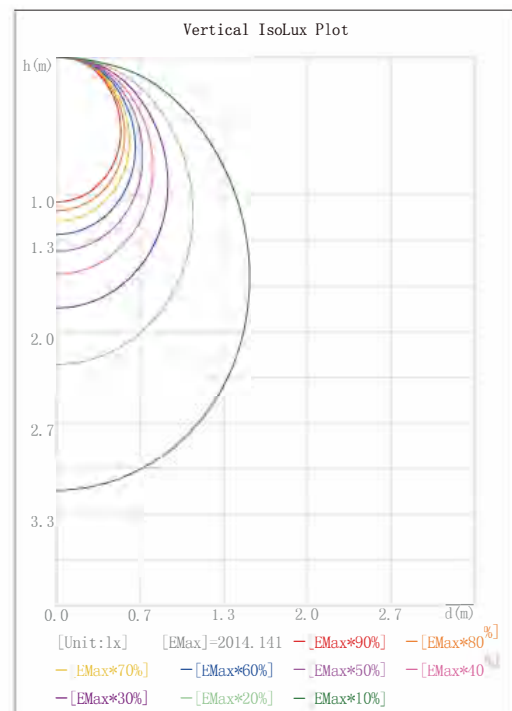
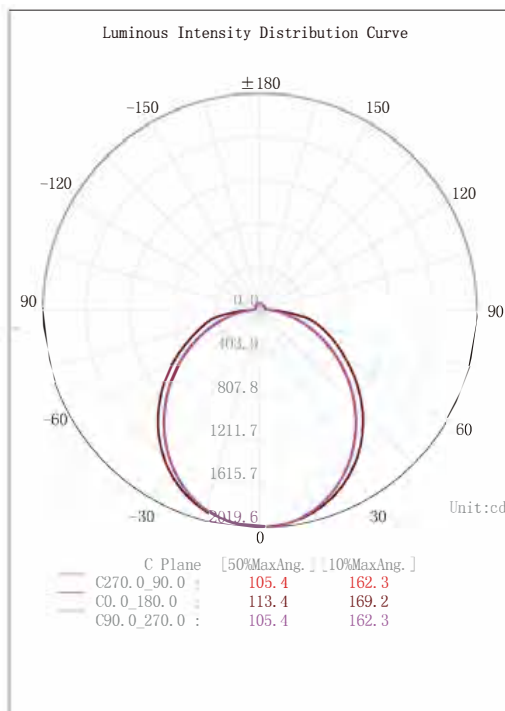
WATTAGE AND CCT SELECTABLE LED TROFFER DOOR RETROFIT

LUMINOUS INTENSITY DISTRIBUTION

2x2'



2x4'



WATTAGE AND CCT SELECTABLE LED TROFFER DOOR RETROFIT

INSTALLATION INSTRUCTIONS

The existing fluorescent luminaries housing shall be larger than dimensions described in below table:

Housing Designation	Overall inner Dimensions
2' x 2'	24.02" by 23.94" by 3.08" high
2' x 4'	48.04" by 23.94" by 3.08" high

Figure 1

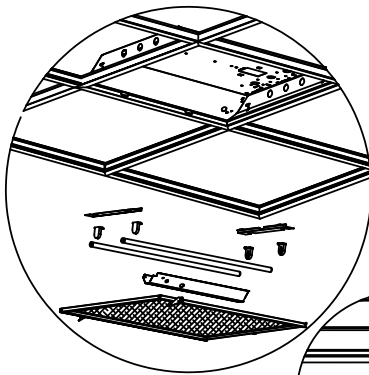


Figure 2

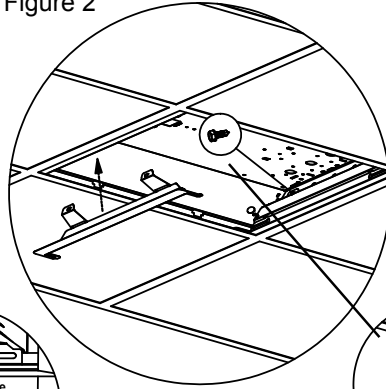


Figure 3

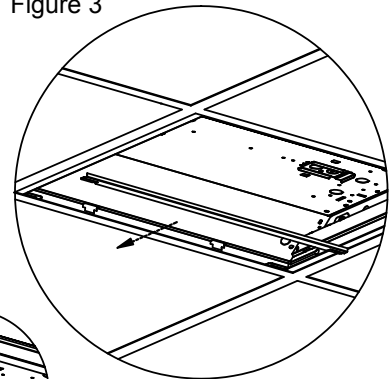


Figure 4

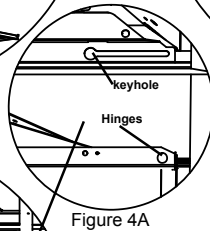
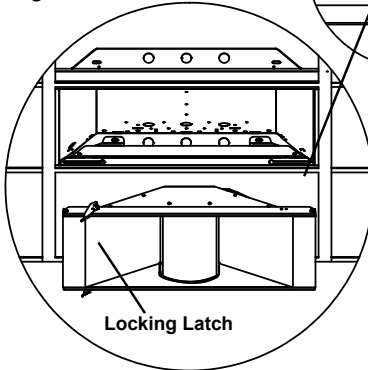


Figure 5

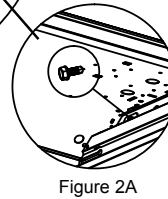
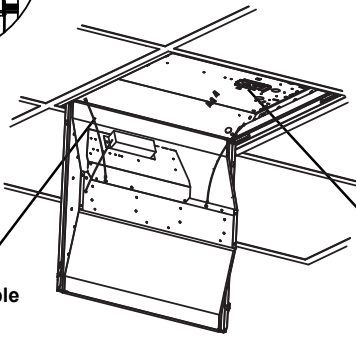


Figure 6

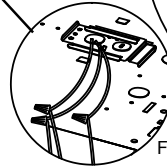
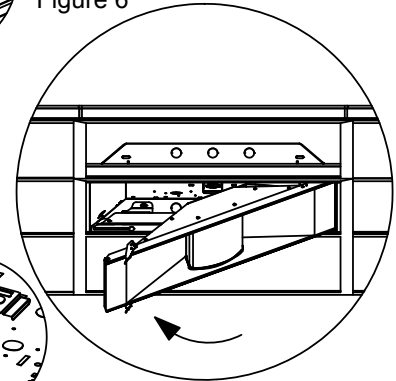


Figure 5A

Prior to installation, disconnect all incoming power to fixture. Remove existing hardware (lens/lens frame, parabolic louver, reflectors/ ballast covers, brackets, lamps/lamp holders). Leave supply and grounding leads. **(Fig.1)**

NOTE: Follow all federal and local regulations when disposing of lamps and removed components.

Install LED panel end brackets to each end of the existing fixture by gently lifting it and placing LED panel end brackets between the fixture and T-grid.

If you are not pleased with the gap between the fixture and T-grid, you may install LED panel side brackets between the fixture and T-grid, there are two tabs to allow for placing the side brackets into the slot of end brackets. **(Fig.2)**

Secure the LED panel brackets to the existing fixture using the provided #8x1/2" self-drilling screws. **(Fig.3)**

Locate the door assembly body onto the keyholes of end brackets, and then slide the door assembly body horizontally to the end of slots. **(Fig.4)**

Hook the safety cables into the holes positioned the end brackets.

Use the provided wire caps to connect the wire leads of the troffer kits to the main power leads. (Black-Live, White-Neutral, Green-Grounding) **(Fig.5)**

Secure the door assembly body by lock the latches riveted on each end of the assembled door frame. **(Fig.6)**