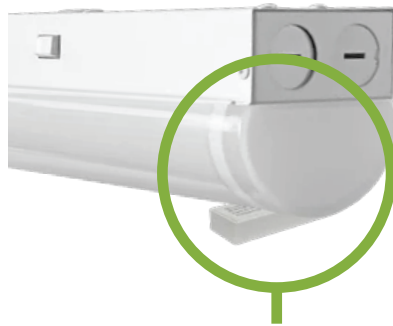


5 WATTAGE AND 5 CCT LED LINEAR STRIP LIGHT - SENSOR READY



Sensor Port Ready



APPLICATIONS



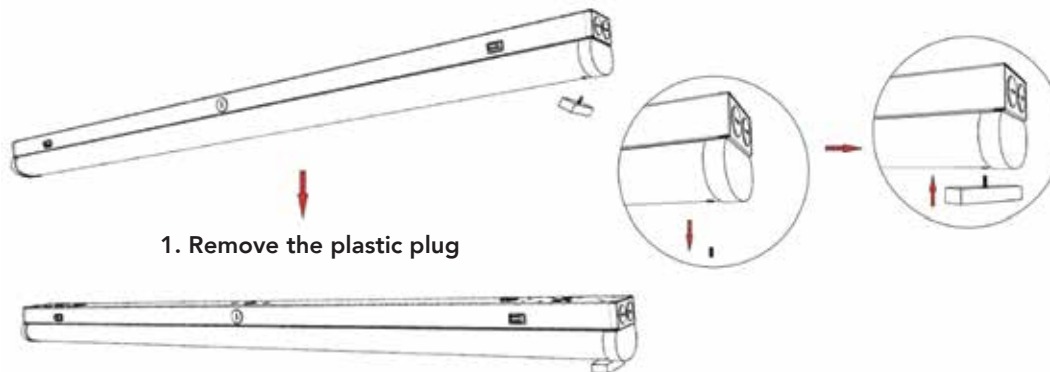
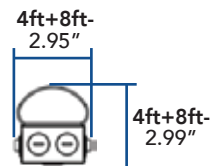
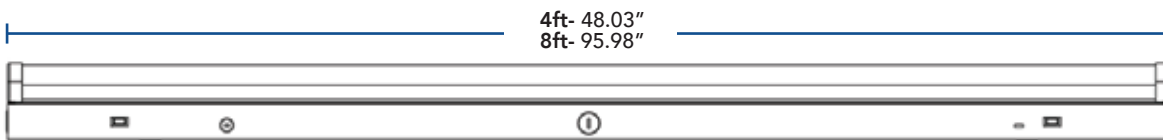
PRODUCT SPECIFICATIONS

WATTAGES	4ft- 30/40/50/60/70W selectable 8ft- 60/70/80/90/100W selectable
COLOR TEMPS	30K, 35K, 40K, 50K, 65K selectable
EFFICACY	160 lm/W
LUMENS	30W- 4,800; 40W- 6,400; 50W- 8,000; 60W- 9,600; 70W- 11,200; 80W- 12,800; 90W- 14,400; 100W- 16,000
INPUT VOLTAGE	120-277VAC
DIMMABLE	0-10V
OPERATING TEMP	-13° to 140°F
INSTALLATION	Surface mounted, Suspension, Pendant
OPTIONAL PIR SENSOR	Sold Separately
REMOTE CONTROL	Sold Separately
RATED	IP20
LISTED	UL
WARRANTY	5 year

PART NUMBERS

ZL-SL-4FT-70-60-50-40-30W-5CCT-LG
ZL-SL-8FT-100-90-80-70-60W-5CCT-LG

DIMENSIONS



1. Remove the plastic plug

2. The sensor can be inserted into the aligned base

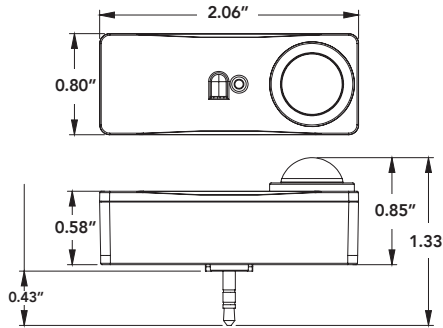


5 WATTAGE AND 5 CCT LED LINEAR STRIP LIGHT - SENSOR READY

SENSOR



Optional Part Builder Part Number: MV
Part Number: ZL-ANT-1P-4T



Part Number:
ZL-REMOTE-RC-100
(Sold Separately)

INTRODUCTION

The ZL-ANT-1P-4T is passive infrared occupancy bi-level sensor, as a fixture sensor mounts in indoor light fixture and provides daylight harvest control. It works by 12-24VDC power, and controls 0-10VDC LED drivers or dimming ballasts. All controls parameters (Hold time, task light level, stand-by level, stand-by time) are adjustable via a wireless configuration tool capable of storing.

SPECIFICATIONS

Power Supply	12-24VDC, >50mA
Dim Control Output	0-10V, max. 25mA sinking current
Mounting Height	12ft max.
Detection Angle	360°
Operating Temperature	-20°C-60°C
IP Rating	IP20

WARNING

NOTE: Warm up time is 40 seconds. After the sensor connects input power first time, the light will keep on 40 seconds, then go to dimming to work normally.

NOTE: Factory Default Setting: 100% sensitivity, Hold on time: 5min, Daylight sensor is ☀, Dimming level: 30%, Dimming time: 60 minutes.

NOTE: Any setting changed by remote control, the LED light that sensor connects will on/off as confirm.

LED LIGHT CONNECTOR CONNECTOR FOR LINEAR STRIP LIGHT

(included with the 8ft fixture)



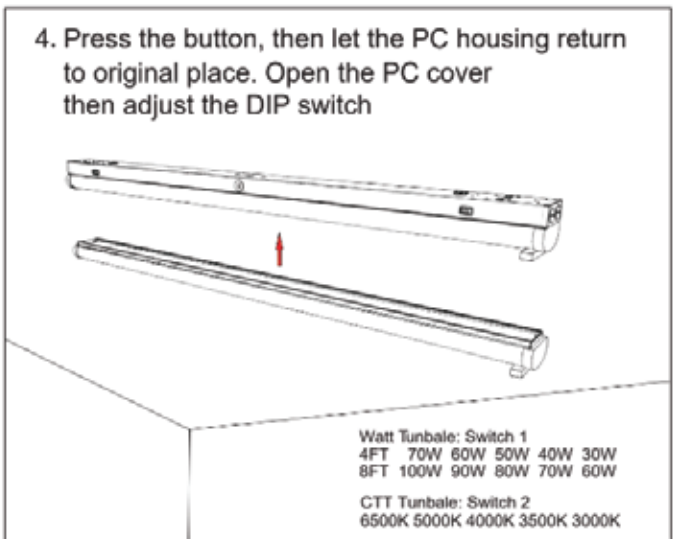
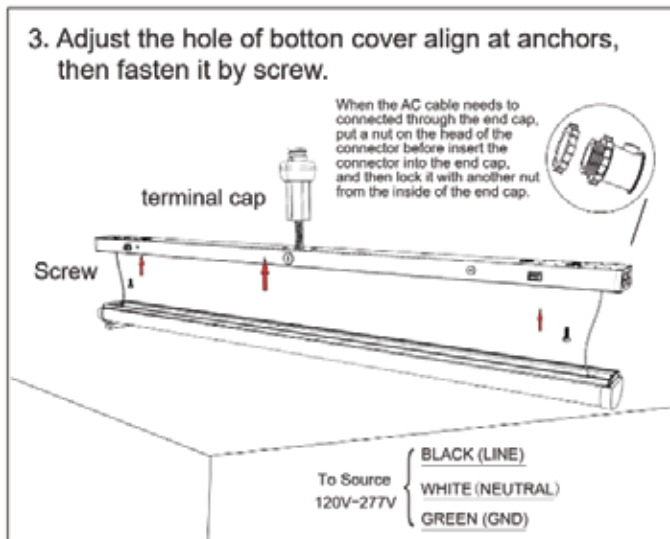
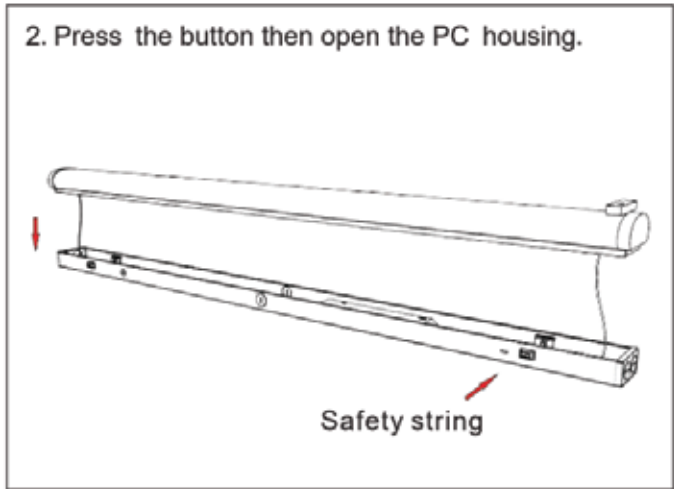
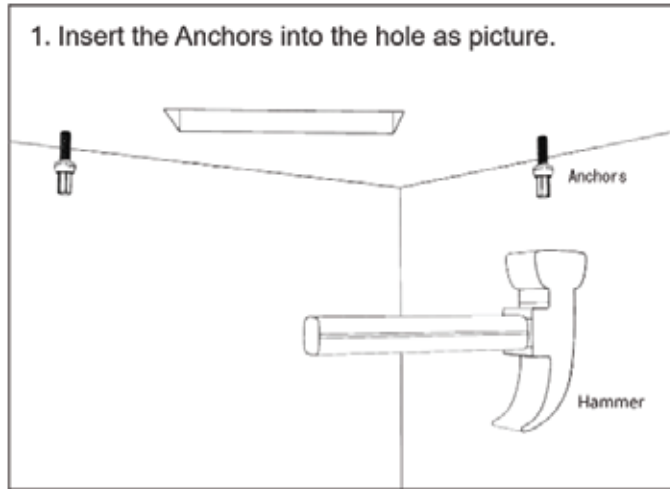
Extend the length surface mount channel extrusion by joining them together with this linear connector. This 180° linking bracket attaches two LED strip channels easily. Simply slide the channels into the grooves to create longer lengths of LED profile lighting.



5 WATTAGE AND 5 CCT LED LINEAR STRIP LIGHT - SENSOR READY

INSTALLATION

Surface Mounted Installation



5 WATTAGE AND 5 CCT LED LINEAR STRIP LIGHT - SENSOR READY

INSTALLATION

Suspension Installation

