

## LED ARCHITECTURAL LINEAR LIGHT



### APPLICATIONS

- Schools
- Hospitals
- Super markets
- Offices
- Warehouses

### PRODUCT SPECIFICATIONS

WATTAGES SELECTABLE	2ft- 15/20/25/30/40W 4ft- 25/30/35/40/50W 8ft- 50/60/70/80/100W
COLOR TEMPS SELECTABLE	27K, 30K, 35K, 40K, 50K,
EFFICACY	120 lm/W
LUMENS @ 40K	15W- 1,800; 20W- 2,400; 25W- 3,000; 30W- 3,600; 35W- 4,200; 40W- 4,800; 50W- 6,000; 60W- 7,200; 70W- 8,400; 80W- 9,600; 100W- 12,000
INPUT VOLTAGE	120/277V
CRI	Ra 80
TOPSIDE POWER TUNABLE	100%-75%-50%-OFF
POWER FACTOR	0.90
FIXTURE COLOR	Black or White
DIMMING	0-10V
WORKING TEMP	-40° to 113°F
LIFESPAN (L70)	50,000 hours
CABLE	1200 mm
EMERGENCY BATTERY	Optional
WARRANTY	5 year

### PRODUCT BUILDER

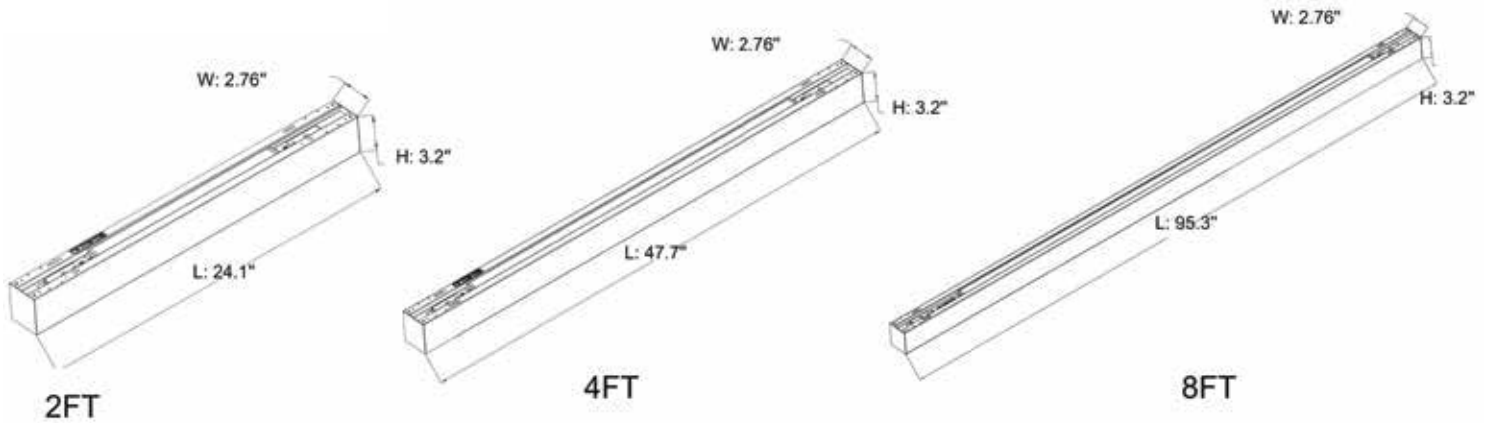
ex: ZL-ALL-15-20-25-30-40W-5CCT-BL-SL

TYPE	SIZE & WATTAGE	COLOR TEMP	COLOR OPTION	OPTIONAL
ZL-ALL	2ft- 15-20-25-30-40W 4ft- 25-30-35-40-50W 8ft- 50-60-70-80-100W	5CCT	BL=Black WH=White	Blank=None EM=Emergency Battery
				SL



## LED ARCHITECTURAL LINEAR LIGHT

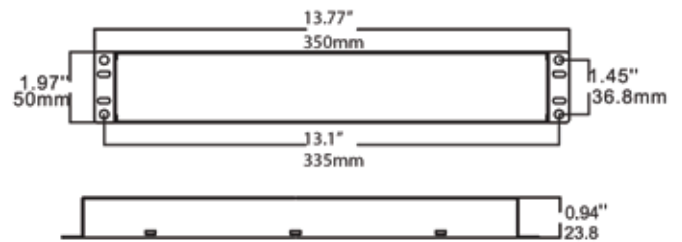
### DIMENSIONS



### EMERGENCY BATTERY

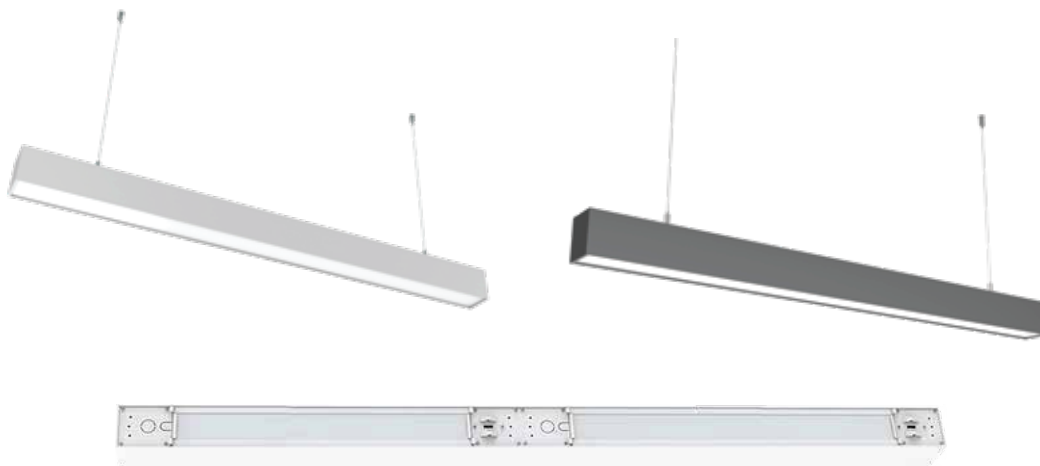


### DIMENSIONS



- **MODEL:** 15W
- **INPUT VOLTAGE:** 120/277V
- **OUTPUT VOLTAGE:** 170VDC
- **EMERGENCY POWER:** 15W
- **EMERGENCY TIME:** 90 mins

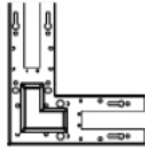
- **CHARGING TIME:** 24 hours
- **DIMENSIONS:** 13.77" x 1.97" x 0.94"
- **AMBIENT TEMPERATURE:** 32-122F
- **BATTERY:** Lithium
- **WARRANTY:** 5 years



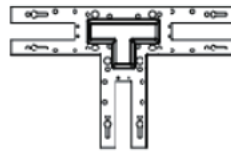
# LED ARCHITECTURAL LINEAR LIGHT

## ADAPTING CONNECTORS

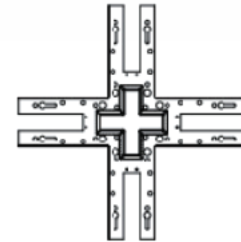
**L Joiner**



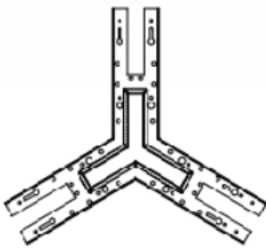
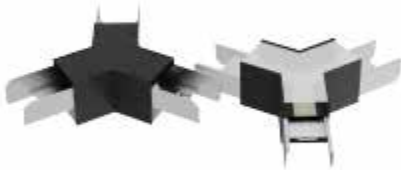
**T Joiner**



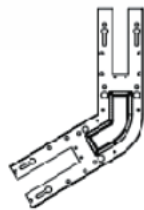
**X Joiner**



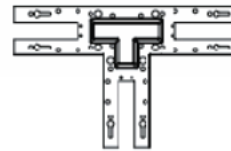
**Y Joiner**



**V2 Joiner**



**V6 Joiner**



**J Joiner**



TYPE

ZL-ALL-ADAPTER

CONNECTOR PART #

[ ]

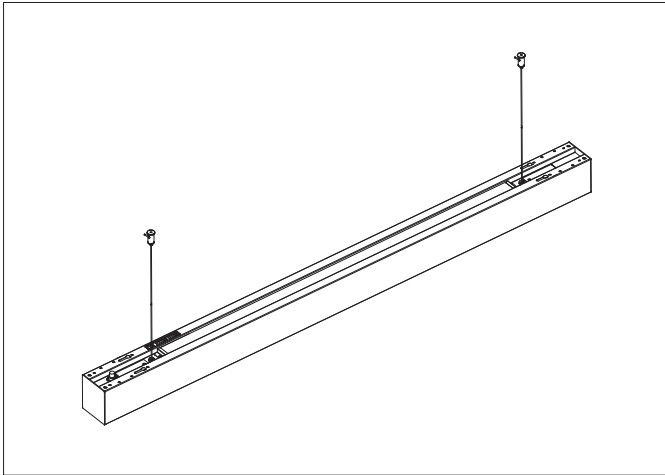
SL

- L=L Joiner
- T=T Joiner
- X=X Joiner
- Y=Y Joiner
- V2=V2 Joiner
- V6=V6 Joiner
- J=J Joiner

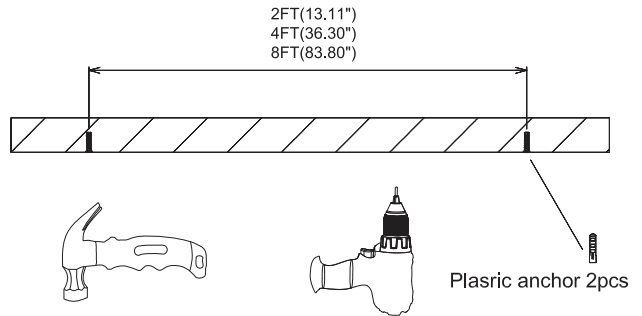


# LED ARCHITECTURAL LINEAR LIGHT

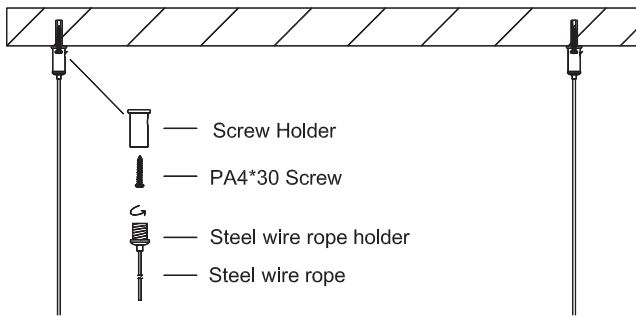
## INSTALLATION



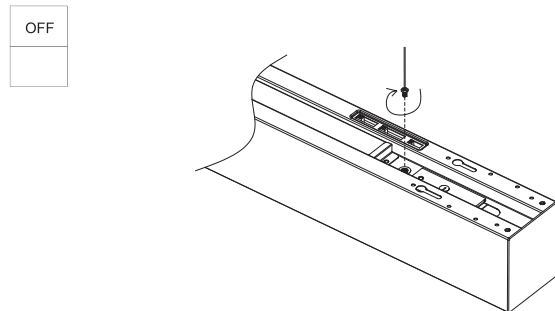
1. Drill a hole of 5.0mm in diameter at the location required for installation. Then install the plastic anchor to the hole with hammer.



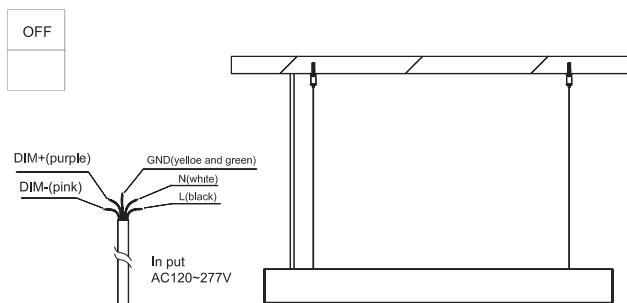
2. Insert PA4\*30 Screws into the screw holder and then drill into the plastic anchor.



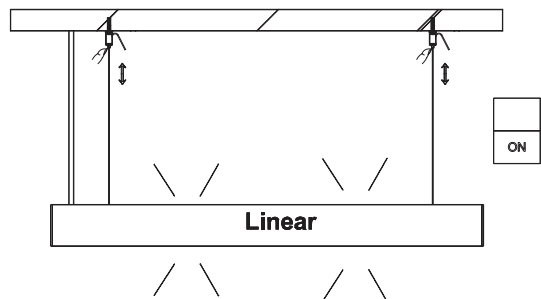
3. Lock the steel wire rope pedestal to the lamp body with M6 screws.



4. Connect L,N,GND,DIM+ and DIM- of AC input wire to L,N,GND, DIM+ and DIM- respectively of AC terminal.

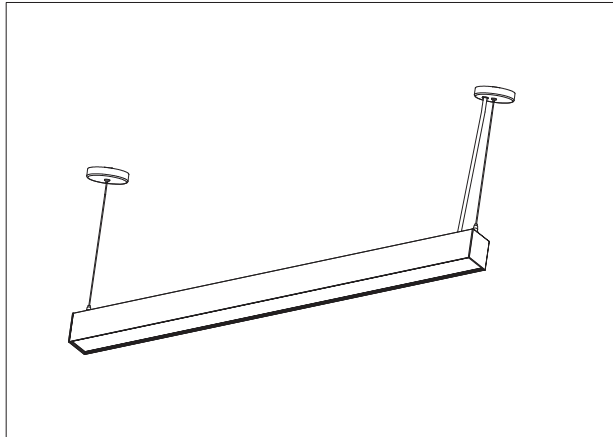


5. Press the to pend of the steel wire rope pedestal to adjust the steel wire rope, and then finish the installation.

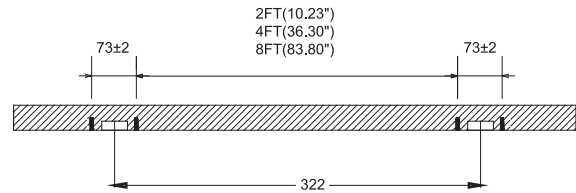


# LED ARCHITECTURAL LINEAR LIGHT

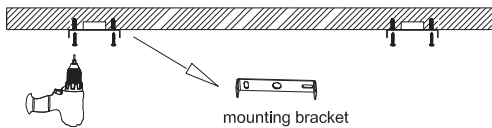
## INSTALLATION



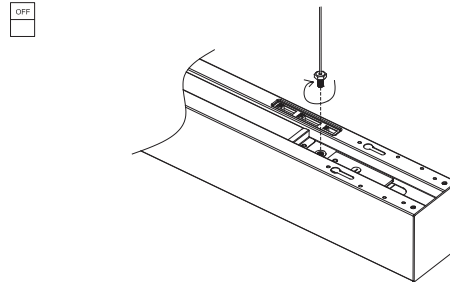
1. Drill a hole of 5.0mm in diameter as shown in the figure at the location required for installation. Then hammer the plastic anchor into the hole.



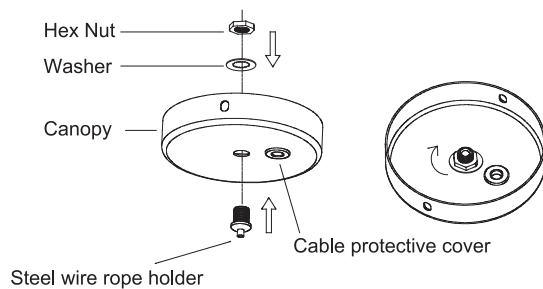
2. Insert PA4\*30 screws into the mounting bracket and then drill into the plastic anchor.



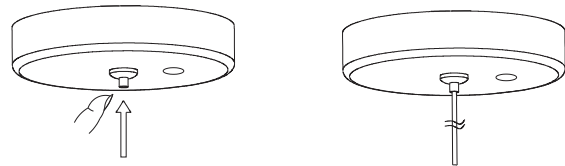
3. Lock the steel wire rope pedestal to the lamp body with M6 Screws.



4. Insert the steel wire rope holder into the middle hole of the canopy and tighten the steel wire rope holder with hex nut; Clip the cable protective cover into the AC line hole of the canopy.



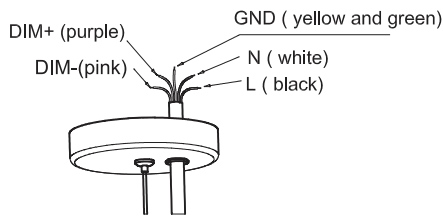
5. Press the steel wire rope holder as shown in the figure, and then insert the stainless steel wire into the inner hole of the steel wire rope holder. The mounting height of the lamp could be adjusted by this steel wire rope holder.



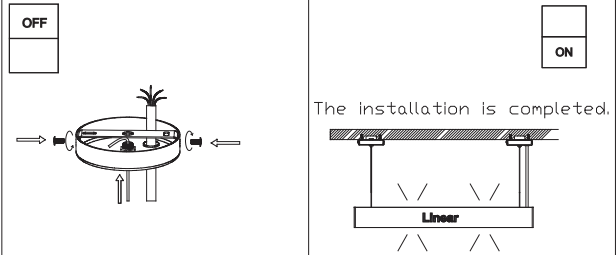
# LED ARCHITECTURAL LINEAR LIGHT

## INSTALLATION

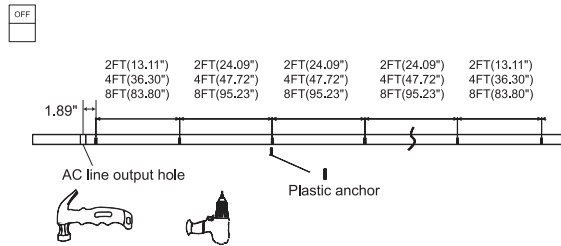
6. Insert the AC input cable through the cable protective cover and connect it with the AC line by the corresponding connection wire with L, N, GND.



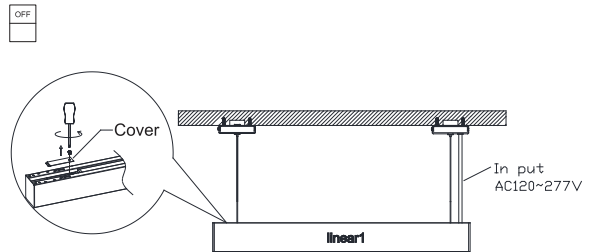
7. Adjust the length of the AC input cable, align the side hole of the canopy and the mounting bracket as shown in the figure, then tighten the screw.



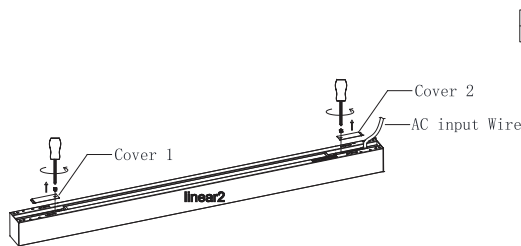
1. Measure the ceiling, make down the position for lineae1, install the first Linear Light to the ceiling as instruction of A Rope Suspension Installation.



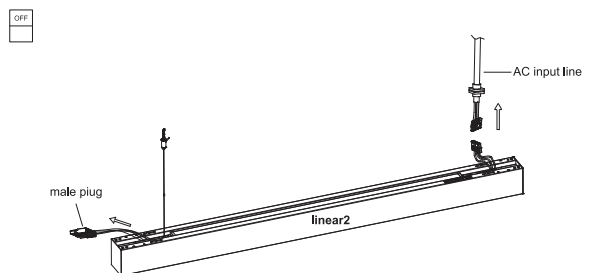
2. Install Linear 1, then connect AC line; remove one cover as show on (2-b).



3. Then Move out two Covers of Linear2



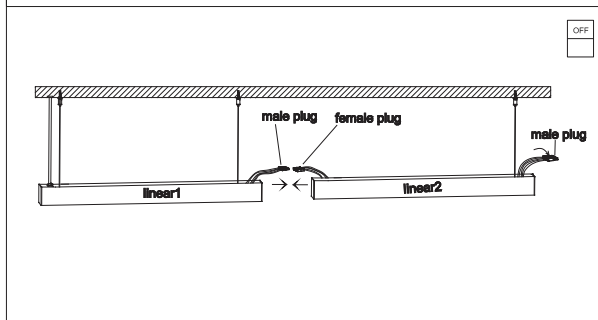
4. Insert the Linear Light as Step 2 and adjust the steel wire rope in the same height. disconnect the AC wire. Keep the female plug to the side covers.



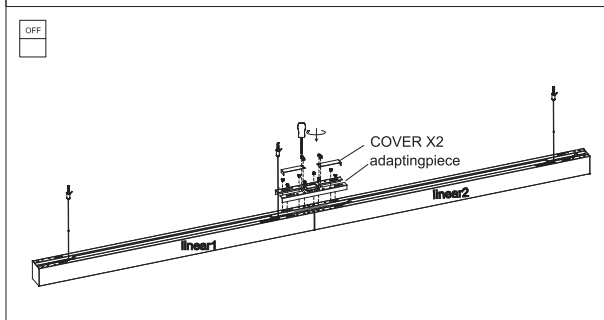
# LED ARCHITECTURAL LINEAR LIGHT

## INSTALLATION

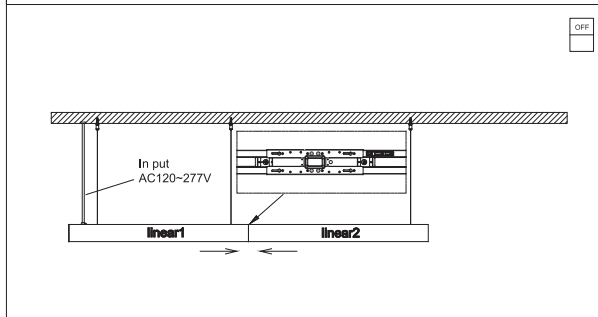
5. Connect the male plug of Linear 1 and female plug of Linear 2, insert the bracket to the Linear 2 make them seamless linkable together.



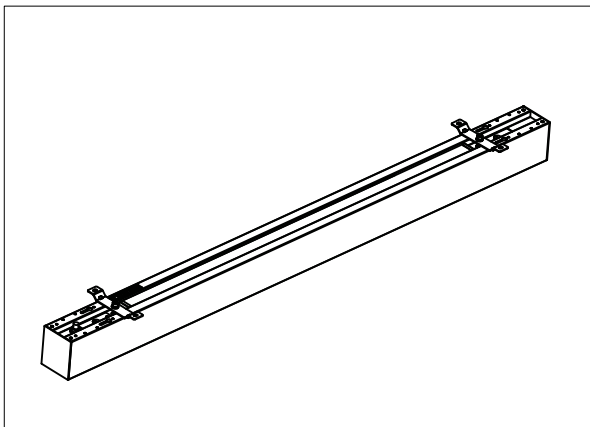
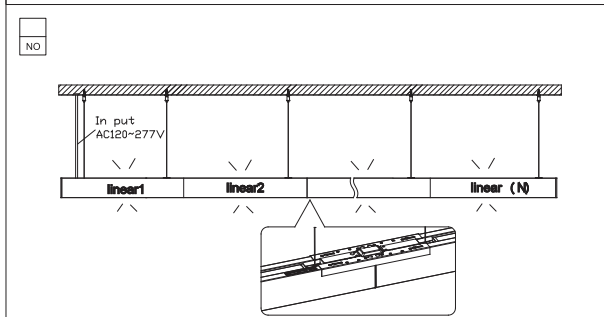
6. Lock the linear body pedestal to the covers plates with M4 screws.



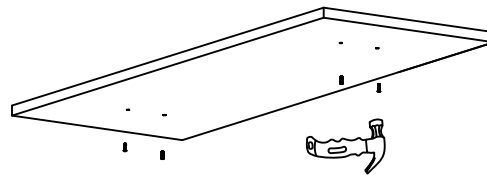
7. Check the status after linked make sure no any gap between two linears.



8. Install the Linear Light 3,4,5,6 and 7 as above method, keep one main input cord on one side for wiring and grounding adjust the steel wire rope in the same height. Then finish the installation.



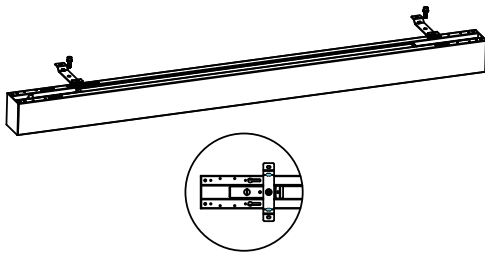
1. Drill a hole of 5.0mm in diameter as shown in the figure at the location required for installation. Then hammer the plastic anchor into the hole.



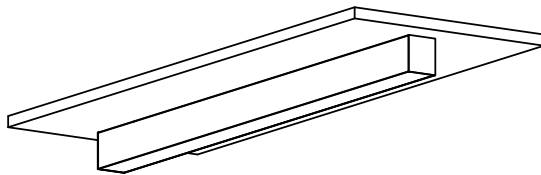
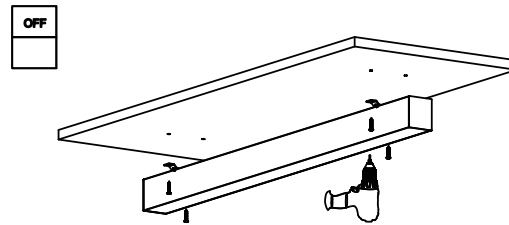
# LED ARCHITECTURAL LINEAR LIGHT

## INSTALLATION

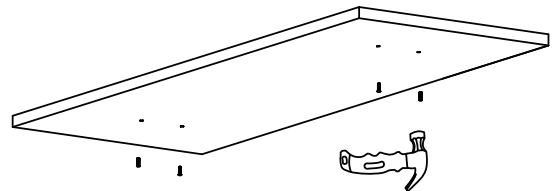
2. Fix the 2 brackets to the fixture back with provided screws.



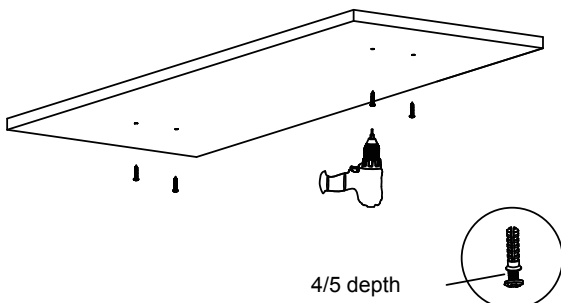
3. Finally, screw in 4 screws as shown to ensure the fixture hung in the ceiling firmly.



1. Drill a hole of 5.0mm in diameter as shown in the figure at the location required for installation. Then hammer the plastic anchor into the hole.



2. screw in screws to a depth of 4/5



3. Do wiring connection to Main Power as required by code and local regulations. Hang fixture to the screwheads and slide fixture to right to make it hung firmly

