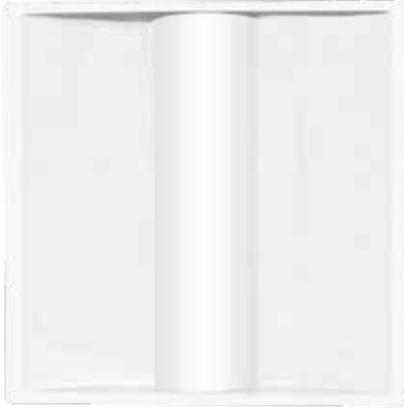
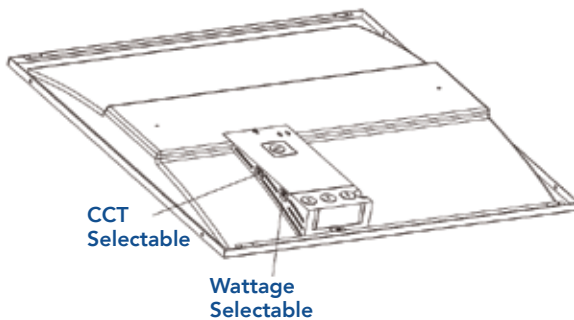


## 2x2 + 2x4 - LED TROFFER - 5 WATTAGE AND 5 CCT SELECTABLE - IG SERIES



### APPLICATIONS

- Education
- Healthcare
- Offices



### PRODUCT SPECIFICATIONS

<b>WATTAGES SELECTABLE</b>	2x2- 20W/25W/30W/35W/40W 2x4- 30W/40W/50W/60W/72W
<b>COLOR TEMPS</b>	30K, 35K, 40K, 50K, 65K selectable
<b>EFFICACY</b>	150 lm/W
<b>LUMENS</b>	20W- 3,000; 25W- 3,750; 30W- 4,500; 35W- 5,250; 40W- 6,000; 50W- 7,500; 60W- 9,000; 72W- 10,800
<b>INPUT VOLTAGE</b>	120-277VAC
<b>CRI</b>	Ra >80
<b>DIMMABLE</b>	0-10V
<b>OPERATING TEMP</b>	-22°F to 104°F
<b>LED LIFESPAN (L70)</b>	54,000 hours
<b>HOUSING</b>	White high-strength metal frame
<b>LENS</b>	Polycarbonate diffuser
<b>MOUNTING</b>	Recessed, installs into conventional grid ceilings
<b>SENSORS - OPTIONAL</b>	Microwave Sensor - Bluetooth; Microwave Motion Sensor (Remote Sold Separately)
<b>EMERGENCY BATTERY - OPTIONAL</b>	15W EM Driver
<b>LISTED</b>	ETL
<b>WARRANTY</b>	5 year

<b>PART NUMBERS</b>	ZL-TR-2X2-20W/25W/30W/35W/40W-5CCT-IG
	ZL-TR-2X2-20W/25W/30W/35W/40W-5CCT-EM-IG
	ZL-TR-2X4-30W/40W/50W/60W/72W-5CCT-IG
	ZL-TR-2X4-30W/40W/50W/60W/72W-5CCT-EM-IG

### EMERGENCY BATTERY - OPTIONAL

#### 15W Emergency Driver



- **MODEL:** 15W
- **INPUT VOLTAGE:** 120/277V
- **OUTPUT VOLTAGE:** 170VDC
- **EMERGENCY POWER:** 15W
- **EMERGENCY TIME:** 90 mins
- **DIMENSIONS:** 13.1" x 1.97" x 0.94"
- **AMBIENT TEMPERATURE:** 32-122F
- **BATTERY:** Lithium
- **WARRANTY:** 5 year

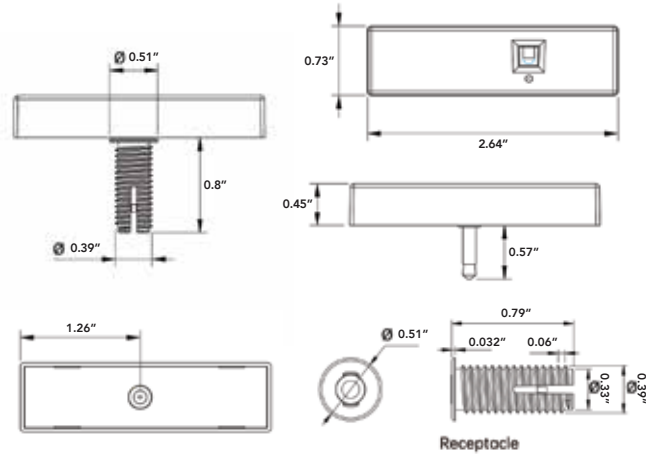


## 2x2 + 2x4 - LED TROFFER - 5 WATTAGE AND 5 CCT SELECTABLE - IG SERIES

### OPTIONAL SENSORS



Part Number:  
ZL-MV-HD08VR-MB-1



#### SPECIFICATIONS

Power Supply	10-15VDC
Dim Control Output	DIM 0-10V
Mounting Height	4m/13.12ft Max.
Detection Distance	≥3m/9ft
Operating Temperature	-25°C~+60°C
IP Rating	IP20

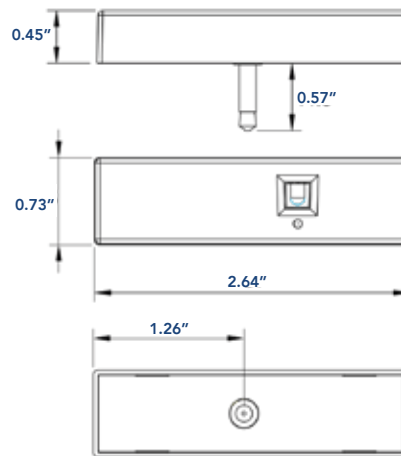
#### ⚠ WARNING

1. The sensor should be installed by qualified electrician and ensure power is OFF before installation.
2. Please read the instruction carefully before using the product and keep it well for other users to read any time.
3. We reserve the right to modify any incorrect text, image and technical parameters.
4. Any unauthorized modification is forbidden. Otherwise all guarantees will be immediately invalid.
5. Product could be optimized without prior notice.



Part Number: ZL-HD08VR-M-1

IP20



Part Number  
Remote Control:  
ZL-REMOTE-HD05R  
(Sold Separately)

#### SPECIFICATIONS

Power Supply	10-15VDC
Dim Control Output	DIM 0-10V
Mounting Height	4m/13.2 max.
Detection Angle	30-150° (Without Glass Cover)
Operating Temperature	-25°C-60°C
IP Rating	IP20

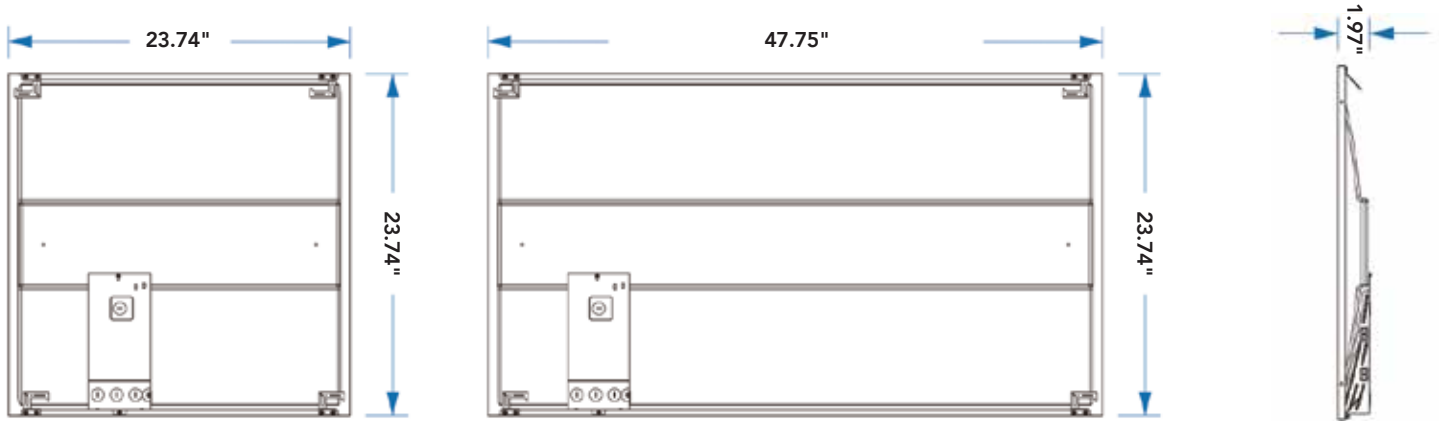
#### WARNING

1. The sensor should be installed by qualified electrician and ensure power is OFF before installation.
2. Please read the instruction carefully before using the product and keep it well for other users to read any time.
3. We reserve the right to modify any incorrect text, image and technical parameters.
4. Any unauthorized modification is forbidden. Otherwise all guarantees will be immediately invalid.
5. Product could be optimized without prior notice.



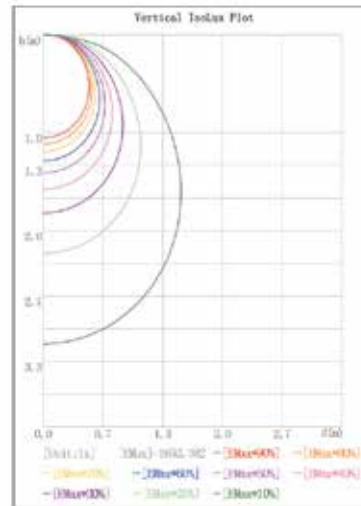
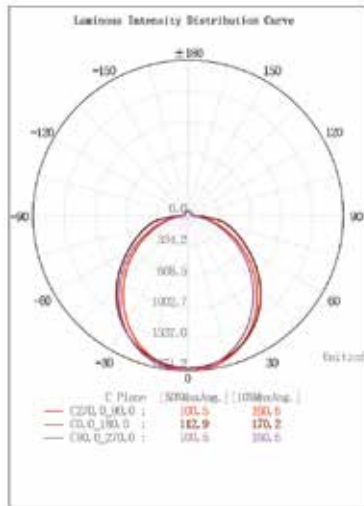
## 2x2 + 2x4 - LED TROFFER - 5 WATTAGE AND 5 CCT SELECTABLE - IG SERIES

### DIMENSIONS



### PHOTOMETRICS

2x2



2x4

