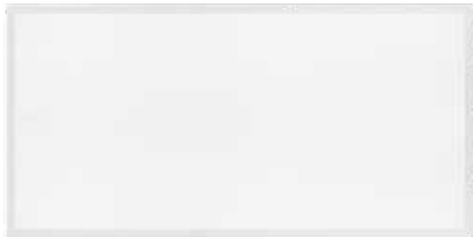


# 5 WATTAGE AND 5 CCT BACK-LIT LED FLAT PANEL - IG SERIES

2x2 ft



2x4 ft



1x4 ft



## PRODUCT SPECIFICATIONS

<b>WATTAGES</b>	2x2ft; 1x4ft- 20W/25W/30W/35W/40W 2x4ft- 30W/40W/50W/60W/72W
<b>COLOR TEMPS</b>	30K, 35K, 40K, 50K, 65K
<b>EFFICACY</b>	150 lm/W
<b>LUMENS</b>	20W- 3,000; 25W- 3,750; 30W- 4,500; 35W- 5,250; 40W- 6,000; 50W- 7,500; 60W- 9,000; 72W- 10,800
<b>INPUT VOLTAGE</b>	120-277VAC
<b>CRI</b>	Ra >80
<b>DIMMABLE</b>	0-10V
<b>OPERATING TEMP</b>	-22°F to 104°F (-30°C to 40°C)
<b>LED LIFESPAN (L70)</b>	54,000 hours
<b>POWER FACTOR</b>	>0.95 at full load
<b>TOTAL HARMONIC DISTORTION</b>	<15% at full load
<b>SENSOR PORT READY</b>	Microwave or Bluetooth optional - Contact Factory
<b>HOUSING</b>	White high-strength metal frame
<b>LENS ASSEMBLY</b>	PMMA lens and polystyrene diffuser prevents hot spots, shadows and glare, while providing uniform illumination
<b>MOUNTING</b>	Recessed Installs into conventional grid ceilings
<b>LISTED</b>	ETL
<b>WARRANTY</b>	5 year

<b>PART NUMBERS</b>	ZL-FP-PA-CCT-2X2-IG
	ZL-FP-PA-CCT-2X4-IG
	ZL-FP-PA-CCT-1X4-IG
	ZL-FP-PA-CCT-2X2-EM-15-IG
	ZL-FP-PA-CCT-2X4-EM-15-IG
	ZL-FP-PA-CCT-1X4-EM-15-IG

Sensor Port Ready - Microwave or Bluetooth optional - Contact Factory

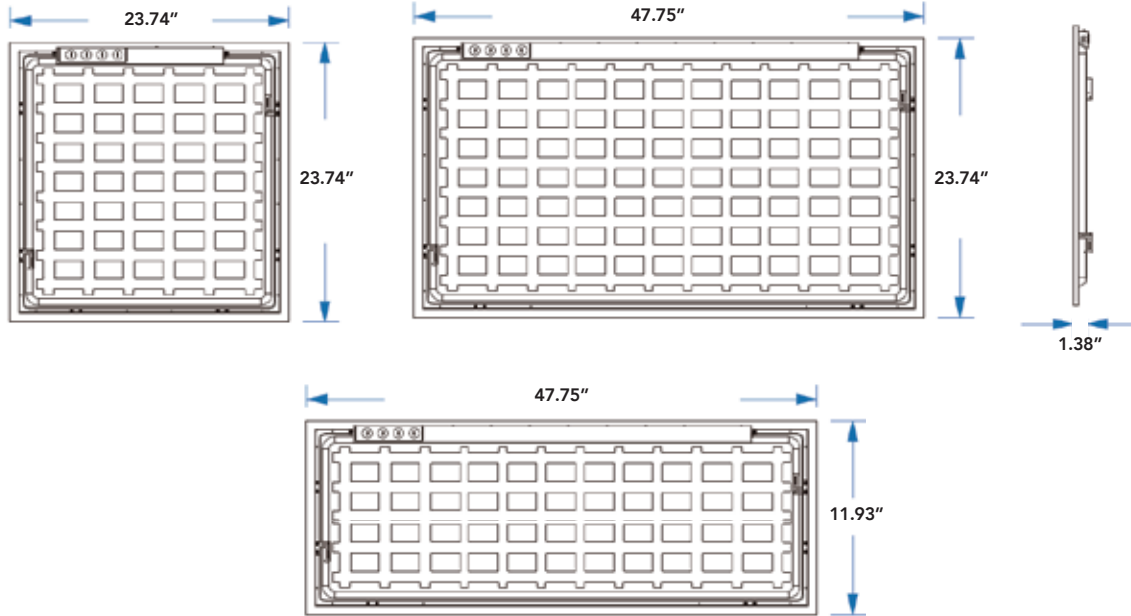


**APPLICATIONS**

- Offices
- Educational & Retail
- Commercial & Institutional

## 5 WATTAGE AND 5 CCT BACK-LIT LED FLAT PANEL - IG SERIES

### DIMENSIONS



### ACCESSORIES (OPTIONAL)

#### 15W Emergency Driver



- **Optional Part Builder Number:** EM-15
- **MODEL:** 15W
- **INPUT VOLTAGE:** 120/277V
- **OUTPUT VOLTAGE:** 170VDC
- **EMERGENCY POWER:** 15W

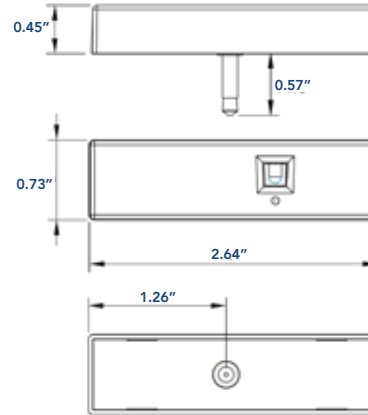
- **EMERGENCY TIME:** 90 mins
- **DIMENSIONS:** 13.1" x 1.97" x 0.94"
- **AMBIENT TEMPERATURE:** 32-122F
- **BATTERY:** Lithium
- **WARRANTY:** 5 year

# 5 WATTAGE AND 5 CCT BACK-LIT LED FLAT PANEL - IG SERIES

## ACCESSORIES (OPTIONAL)



Part Number: ZL-HD08VR-M-1



Remote Sold Separately  
Part Number: ZL-REMOTE-HD05R

### SPECIFICATIONS

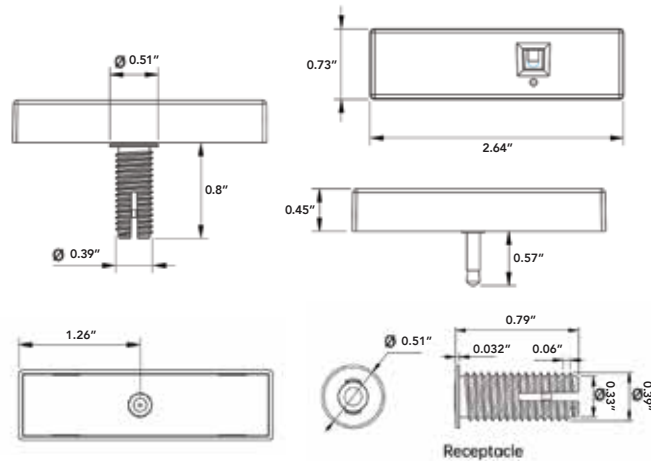
Power Supply	10-15VDC
Dim Control Output	DIM 0-10V
Mounting Height	4m/13.2 max.
Detection Angle	30-150° (Without Glass Cover)
Operating Temperature	-25°C-60°C
IP Rating	IP20

### WARNING

1. The sensor should be installed by qualified electrician and ensure power is OFF before installation.
2. Please read the instruction carefully before using the product and keep it well for other users to read any time.
3. We reserve the right to modify any incorrect text, image and technical parameters.
4. Any unauthorized modification is forbidden. Otherwise all guarantees will be immediately invalid.
5. Product could be optimized without prior notice.



Part Number: ZL-MV-HD08VR-MB-1



### SPECIFICATIONS

Power Supply	10-15VDC
Dim Control Output	DIM 0-10V
Mounting Height	4m/13.12ft Max.
Detection Distance	≥3m/9ft
Operating Temperature	-25°C~+60°C
IP Rating	IP20

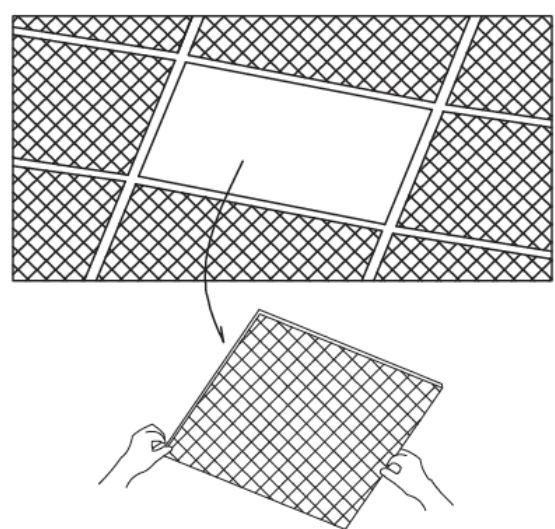
### WARNING

1. The sensor should be installed by qualified electrician and ensure power is OFF before installation.
2. Please read the instruction carefully before using the product and keep it well for other users to read any time.
3. We reserve the right to modify any incorrect text, image and technical parameters.
4. Any unauthorized modification is forbidden. Otherwise all guarantees will be immediately invalid.
5. Product could be optimized without prior notice.

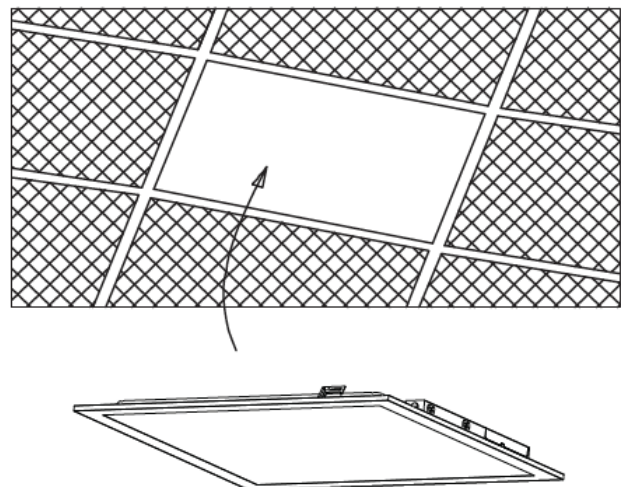
# 5 WATTAGE AND 5 CCT BACK-LIT LED FLAT PANEL - IG SERIES

## INSTALLATION INSTRUCTIONS

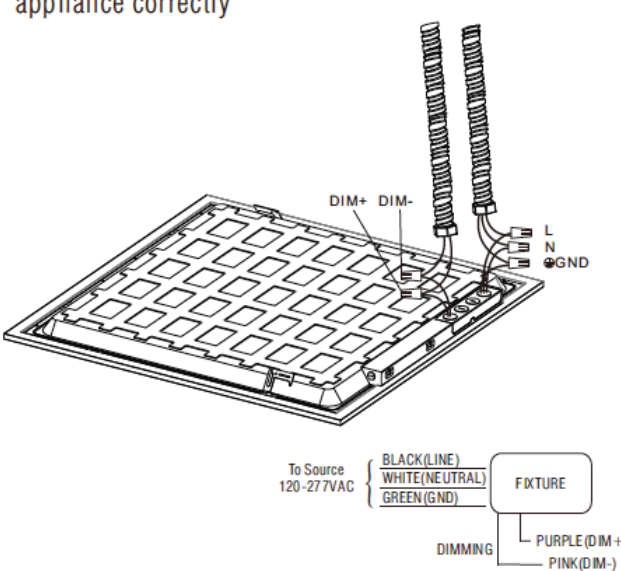
**Step1: Remove 2x2 or 2x4 or 1x4 the from ceiling**



**Step2: Place fixture into ceiling grid**



**Step3: Follow the luminaire wiring diagram to wire the appliance correctly**



To Source 120-277VAC { BLACK(LINE)  
WHITE(NEUTRAL)  
GREEN(GND) }

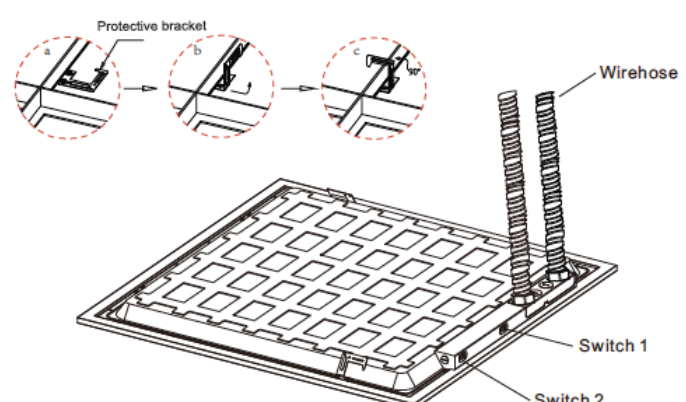
DIMMING { PURPLE(DIM+)  
PINK(DIM-) }

L N GND

DIM+ DIM-

a b c

**Step4: Pull the switch to the appropriate gear, Fixed wire hose on the panel, Then installation is completed**



Protective bracket

Wirehose

Switch 1

Switch 2

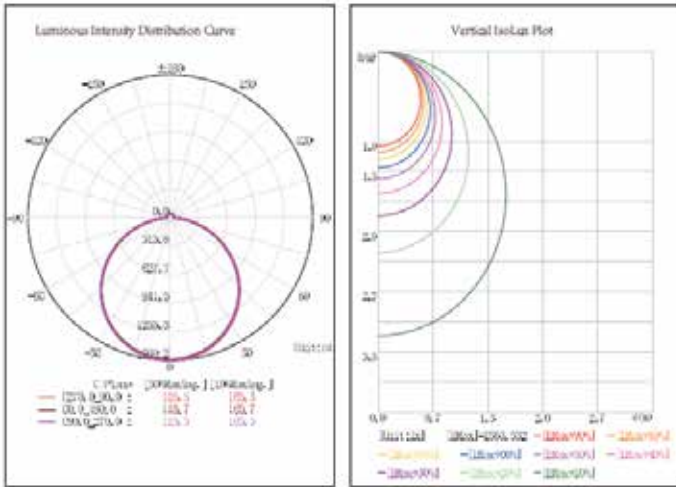
**Watt Tunable: Switch 1**  
 5 different power:  
 2\*2FT: 20W-25W-30W-35W-40W  
 1\*4FT: 20W-25W-30W-35W-40W  
 2\*4FT: 30W-40W-50W-60W-72W

**CCT Tunable: Switch 2**  
 3000K-3500K-4000K-5000K-6500K

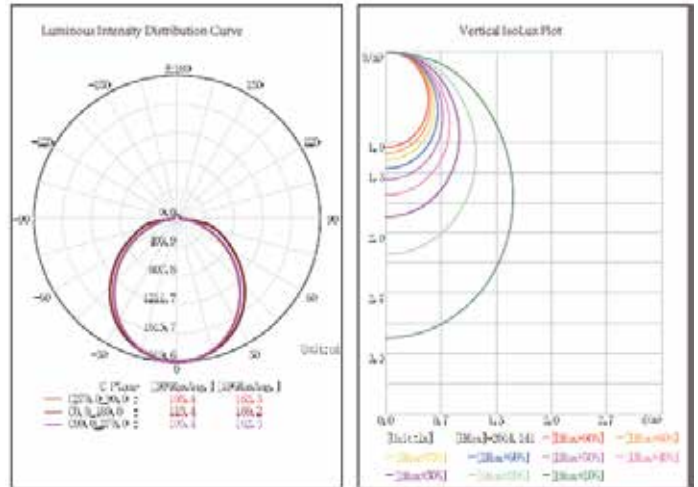
# 5 WATTAGE AND 5 CCT BACK-LIT LED FLAT PANEL - IG SERIES

## LUMINOUS INTENSITY DISTRIBUTION DIAGRAM

**2x2 ft**



**2x4 ft**



**1x4 ft**

