

HARSH ENVIRONMENT LINEAR LED LIGHT



APPLICATIONS

- Dairy / Milking
- Pullet & Layering Barns
- Agriculture & Livestock Industry
- Food Processing Facilities
- Architectural
- Rail Tunnel
- Industrial Environments
- Infrastructure Projects
- Auto Shops & Car Washes
- Docks, Piers, Boathouses



Designed for diverse demanding environments, our high-performance LED lighting ensures operational efficiency, durability, and safety. Suitable for applications including food processing, industrial, and agricultural settings, it withstands harsh conditions such as high-pressure washdowns, chemical exposure, and thermal shock—made possible by exceptional resilience. The lightweight, low-profile linkable design, flexible mounting options and safe DC push and-click cabling allow for easy installation even in confined spaces.

- Large power supply + linkable tubes for flexible 1-to-N layout, with safe DC voltage between lamps
- Flexible mounting options and multiple, efficient and convenient wiring methods
- Reinforced aluminum heat dissipation structure, high-quality power supply, and long life
- High luminous efficacy and wide viewing angle



PRODUCT SPECIFICATIONS

WATTAGES	13W, 25W, 38W, 50W
INPUT VOLTAGE	Luminaire- DC48V; Driver- 100-277VAC (standard), 347-480V (optional)
OPERATING TEMP	-40° to 140°F; -40° to 60°C
SURGE PROTECTION	4/6kV for Driver
MOUNTING OPTION	Ceiling/Suspended Mounting
WARRANTY	5 year

40/50K MODEL

COLOR TEMPS	4000K, 5000K
EFFICACY	160 lm/W
LUMENS	13W- 2,080; 25W- 4,000; 38W- 6,080; 50W- 8,000
CRI	70Ra (standard), 80Ra (optional)
LENS	Clear (standard); Diffused (optional)
DIMMING	Non-dimmable (standard), 0-10V, Dali (optional)
LED LIFESPAN (L70)	@25°C 100,000hrs
RATED	IP68, IP69K
LISTED	ETL



RGB MODEL

COLOR TEMP	RGB
LENS	120°C Clear or Frosted Lens
CONTROL	DMX512
LED CHIP	LED 5050
WAVELENGTH	Red 630nm; Green 620nm; Blue 455nm
BEAM ANGLE	120°
LED LIFESPAN (L70)	50,000 hours
RATED	IP69K
LISTED	UL Certified Driver
WATERPROOF DMX/RDM LED CONSTANT VOLTAGE DECODER	Sold Separately



HARSH ENVIRONMENT LINEAR LED LIGHT

40/50K PRODUCT BUILDER

ex: ZL-HEL-2-13-120-50K-70-C

TYPE	LENGTH	WATTAGE	EFFICACY	COLOR TEMP	CRI	DIMMING	LENS DIFFUSION	THROUGH WIRED	THREADING METHOD
ZL-HEL									
	2=2ft 4=4ft 6=6ft 8=8ft	13=13W 25=25W 38=38W 50=50W	120=120 lm/W 140=140 lm/W 160=160 lm/W 180=180 lm/W 200=200 lm/W	50K=5000K 40K=4000K	70=70Ra 80=80Ra 90=90Ra	Blank=No Dimming (standard) DIM=0-10V Dimming Dali	Blank=Chemical Resistant Clear Lens M=Milky	Blank=Connectors on Input & Output for ability to Daisy Chain fixtures (standard) SE=(Single Ended) Connector on Input only, for Standalone Install, No Daisy Chain	C=Cable DB=Docking Base QC=Quick Connect

RGB PRODUCT BUILDER

ex: ZL-HEL-2-13-RGB-C

TYPE	LENGTH	WATTAGE	COLOR TEMP	LENS	THROUGH WIRED	THREADING METHOD
ZL-HEL			RGB			
	2=2ft 4=4ft 6=6ft 8=8ft	13=13W 25=25W 38=38W 50=50W		Blank=120° Clear F=Frosted	Blank=Connectors on Input & Output for ability to Daisy Chain fixtures (standard) SE=(Single Ended) Connector on Input only, for Standalone Install, No Daisy Chain	C=Cable DB=Docking Base QC=Quick Connect

Waterproof DMX/RDM LED Constant Voltage Decoder - Sold Separately



HARSH ENVIRONMENT LINEAR LED LIGHT

WATERPROOF DMX/RDM LED CONSTANT VOLTAGE DECODER

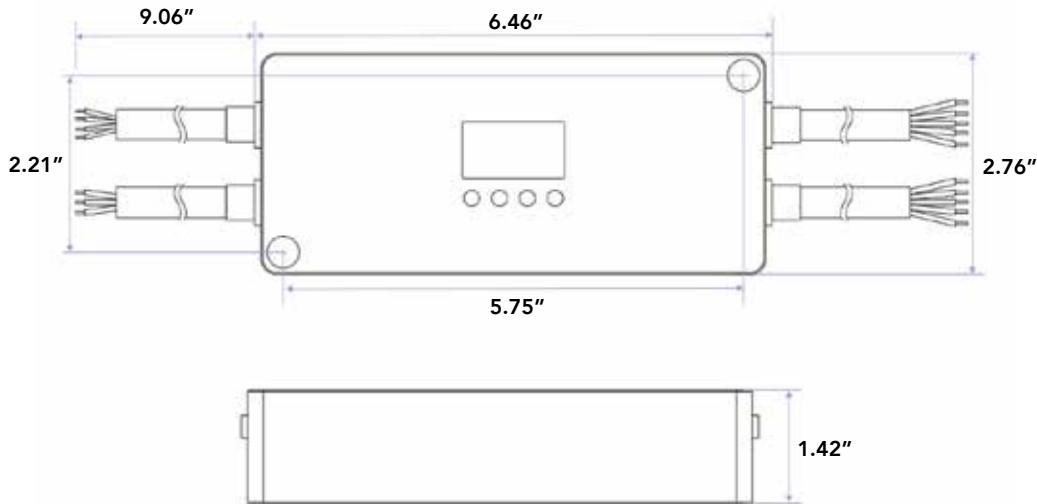
- **Input Signal:** DMX512, RDM
- **Input Voltage:** 12-48V
- **Input Current:** Max. 20.5A
- **Output Voltage:** 4x(12-48)V
- **Output Current:** 2x(4CHx2.5A) Max. 20A
- **Output Power:** 4CHx(0-60...240)W Max. 960W
- **Operating Temperature:** -20°C-50°C
- **Product Weight:** 670g
- **Package Dimensions:** 9.06" x 3.75" x 1.86"
- **Waterproof Rating:** IP67
- **Protect:** Short-circuit, over-temperature, and over-current protection with automatic reset capability



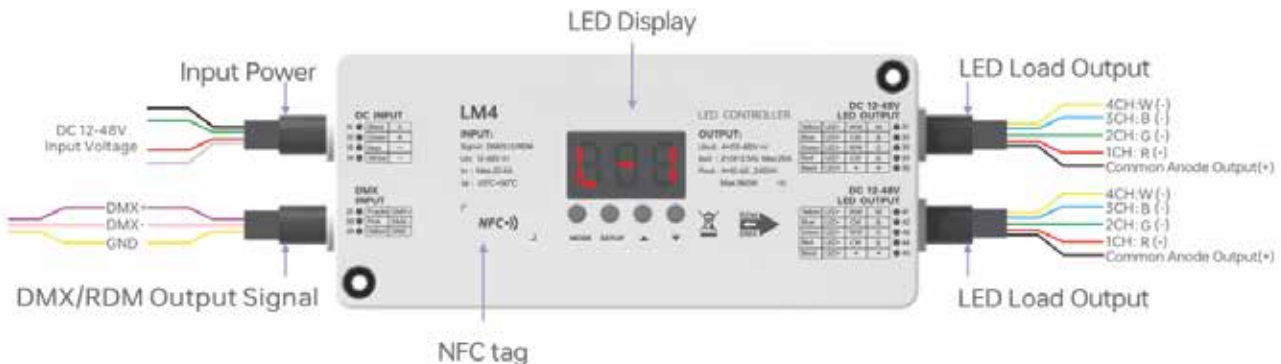
PART #: ZL-DMX/RDM-L4-CVD-ECA

Sold Separately

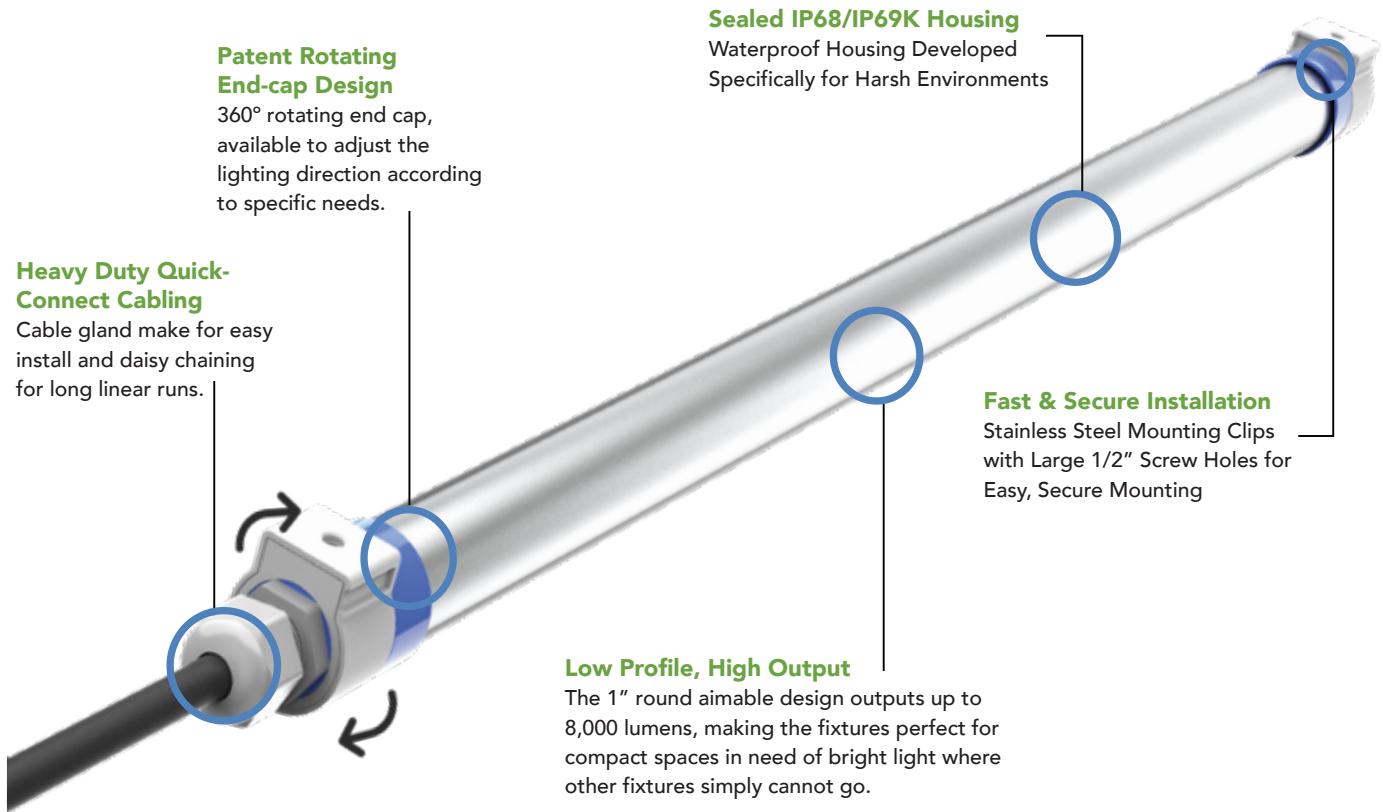
DIMENSIONS



PRODUCT DIAGRAM



HARSH ENVIRONMENT LINEAR LED LIGHT



Patent Rotating End-cap Design

360° rotating end cap, available to adjust the lighting direction according to specific needs.

Heavy Duty Quick-Connect Cabling

Cable gland make for easy install and daisy chaining for long linear runs.

Sealed IP68/IP69K Housing

Waterproof Housing Developed Specifically for Harsh Environments

Fast & Secure Installation

Stainless Steel Mounting Clips with Large 1/2" Screw Holes for Easy, Secure Mounting

Low Profile, High Output

The 1" round aimable design outputs up to 8,000 lumens, making the fixtures perfect for compact spaces in need of bright light where other fixtures simply cannot go.

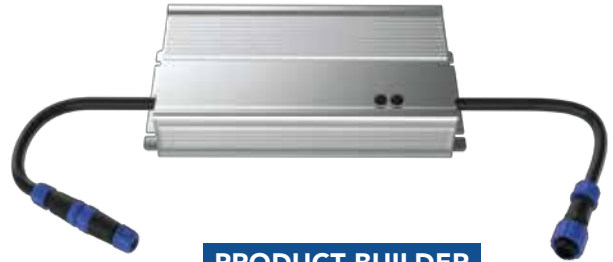
Fixture Model	Typical Power	Fixture Length			
		Single Diameter	Through Wiring	Width	Height
ZL-HEL	13	625 mm - 24.61"	720 mm - 28.35"	33 mm - 1.3"	41 mm - 1.62"
	25	1225 mm - 48.23"	1320 mm - 51.97"	33 mm - 1.3"	41 mm - 1.62"
	38	1825 mm - 71.86"	1920 mm - 75.6"	33 mm - 1.3"	41 mm - 1.62"
	50	2425 mm - 95.48"	2520 mm - 99.22"	33 mm - 1.3"	41 mm - 1.62"



HARSH ENVIRONMENT LINEAR LED LIGHT

DRIVER SPECIFICATIONS

- Input Voltage Range: 100-277VAC (standard), 347-480V (optional)
- Frequency Range: 47 ~ 63Hz
- Power Factor (at full load): $\geq 0.98/115VAC$; $\geq 0.95/277VAC$
- Total Harmonic Distortion: < 20%
- Output Voltage: Constant, 48 VDC
- Lifetime: 100,000 Hours at 25°C
- Warranty: 5 year
- Protection Class: IP67
- Temperature Rating: Operable in temperatures -40 °C to 60°C
- Maximum Case Temperature: +90 °C
- Working Humidity: 20 to 95% RH Non-Condensing



PRODUCT BUILDER

TYPE	WATTAGE
ZL-DRI	<input type="text"/>
	75=75W 100=100W 150=150W 200=200W 240=240W 320=320W 480=480W 600=600W

Fixture Length	Fixture Watts	Fixtures Supported per Power Supply							
		75W	100W	150W	200W	240W	320W	480W	600W
ZL-HEL-2	13W	6	7	8	10	14	20	22	22
ZL-HEL-4	25W	3	3	4	6	8	10	13	14
ZL-HEL-6	38W	2	2	3	4	5	7	9	10
ZL-HEL-8	50W	1	1	2	3	4	5	8	9

CABLES



Jumper Cable



Leader Cable

PRODUCT BUILDER

Jumper Cable

TYPE	LENGTH
ZL-JPW	<input type="text"/>
	1=1 ft 2=2 ft 4=4 ft 6=6 ft 8=8 ft 12=12 ft 16=16 ft 20=20 ft

Leader Cable

TYPE	LENGTH
ZL-LPW	<input type="text"/>
	6=6 ft 8=8 ft 25=25 ft

Max Linkable Wattage	Length	Wattage	Linkable QTY
960W	2FT	13W	73PCS
960W	4FT	25W	38PCS
960W	6FT	38W	25PCS
960W	8FT	50W	19PCS

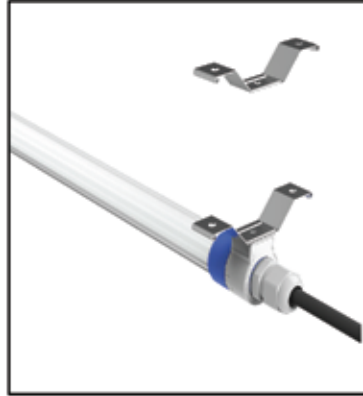


HARSH ENVIRONMENT LINEAR LED LIGHT

MOUNTING OPTIONS



Stainless Steel Eye Bolt



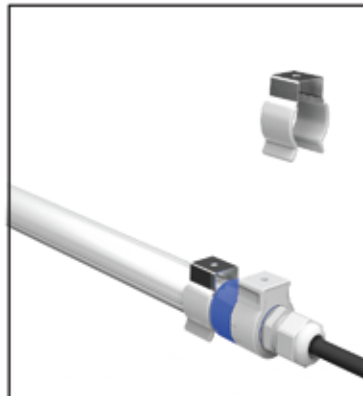
Stainless Steel Ceiling Mounting V-Bracket



Stainless Steel Ceiling Mounting U-Bracket



Stainless Steel Bolt Latch Mounting Clip

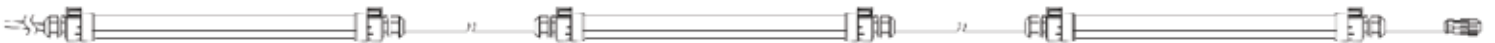


Stainless Steel Quick Latch Mounting Clip



Stainless Steel Suspension Sling

SERIES CONNECTION



48V DC input



HARSH ENVIRONMENT LINEAR LED LIGHT

CONFIGURABLE CONNECTIONS



Cable Gland



Cable Quick Connector



Twist Lock Quick Connector

DIMENSIONS

