

Distributor for:

**GRINSAFE**®



## JET™ GHRS

### LED Hazardous Location Lighting

JET™ GHRS series hazardous location light is a reliable, durable, and high-performance luminaire designed for maximum heat dissipation, exceptional energy efficiency, and dependable operation in demanding environments.

### Compliance

NEC/CEC Standard

UL 844 Hazardous Locations

Class I Division 2, Group A, B, C, D

Class II Division 1, Group E, F, G

Class II Division 2, Group F, G

Class III

Class I, Zone 2, Group IIC

CSA C22.2 No.137

CSA C22.2 NO. 250.0:21

ABS

FCC

UL 1598 Wet Locations

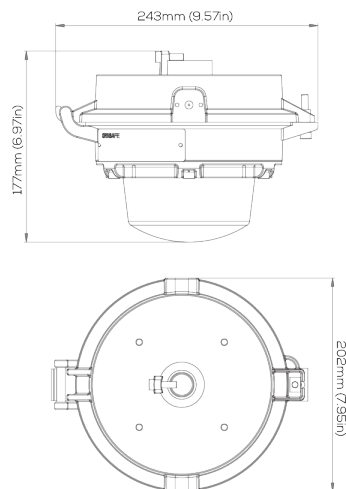
UL 1598A Marine Outside Type (Salt Water)

UL 8750 LED Safety

IP66/67 | IK09 | 5G | NEMA 4X

### Dimensions

unit: mm(in)



### Warranty

5-year limited system warranty

Lumen Maintenance: L70 > 150,000 hours @ 25°C

### Technical Data

#### Electrical

Rated Power	10W / 20W / 30W
Input Voltage	100-277 V/AC
Input Frequency	50/60Hz
Power Factor	> 0.95
Driver Efficiency	≥ 90%
DC output Ripple & Noise	< 200mVP-P

#### Optical

Lumen Output	1500lm / 3000lm / 4500lm
Luminous Efficacy (Lumens per Watt)	150 lm/W
Beam Angle	110°
Correlated Color Temperature (CCT)	Amber 2700K 3000K 4000K 5000K
CRI	Ra>70

#### Environmental

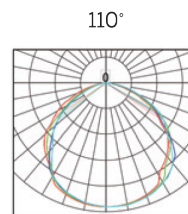
Ambient Operating Temperature	-40°C~+65°C
Ambient Operating Humidity	10%~90% RH
Atmospheric pressure	86~106KPa

#### Technical

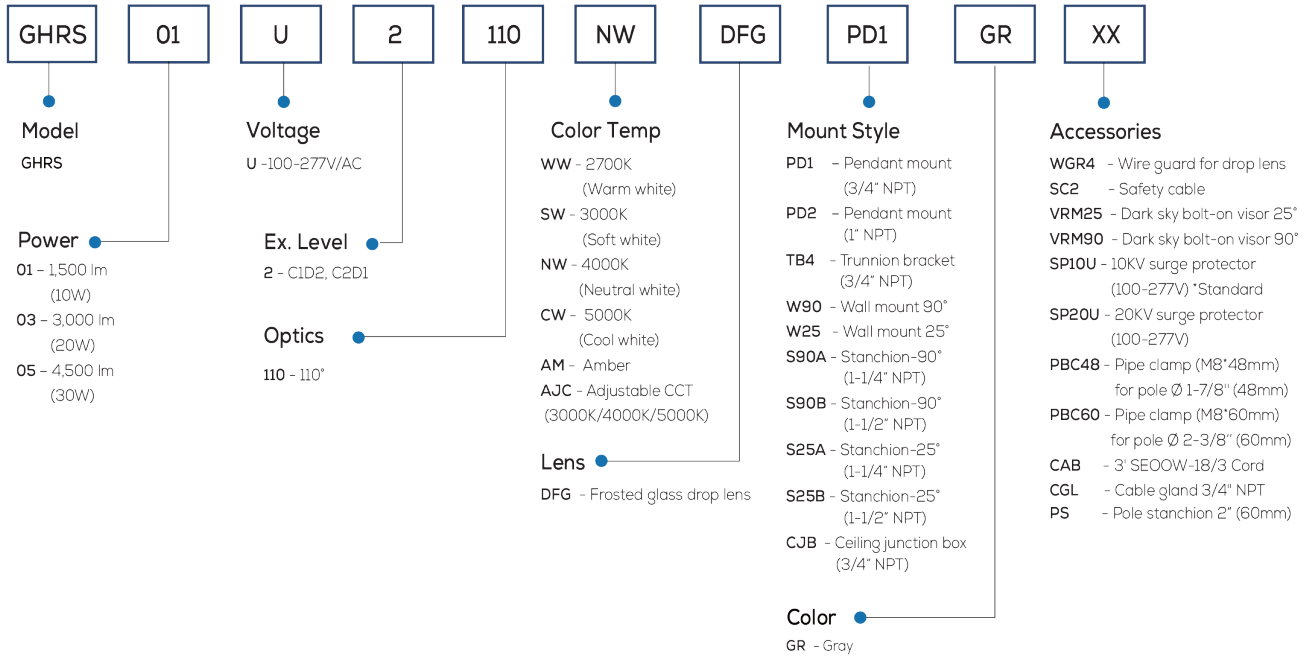
Lens Material	Frosted drop lens
Mounting Options	Pendant / Ceiling / Wall mount / Stanchion / U-Bracket
Cable Entries	3/4" NPT, 1" NPT, 1-1/4" NPT, 1-1/2" NPT
Net Weight	2.6kg (5.37 lbs)

### Downloadable IES Files

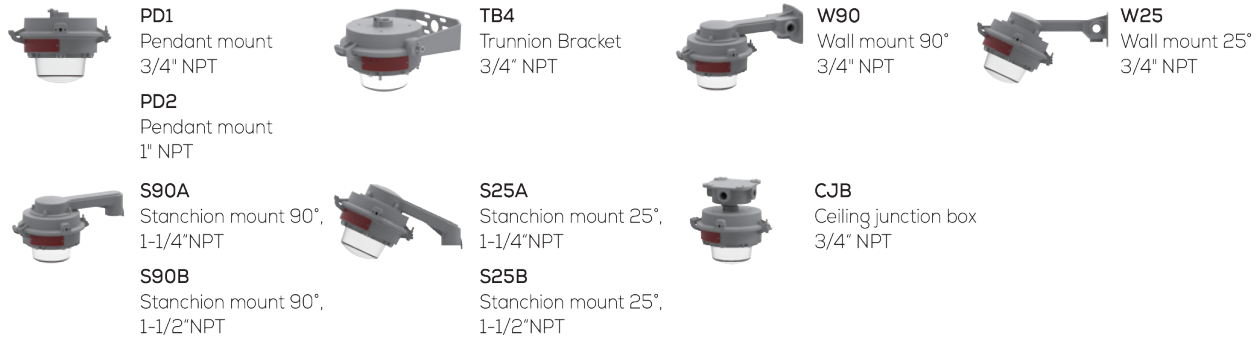
### Beam Distribution



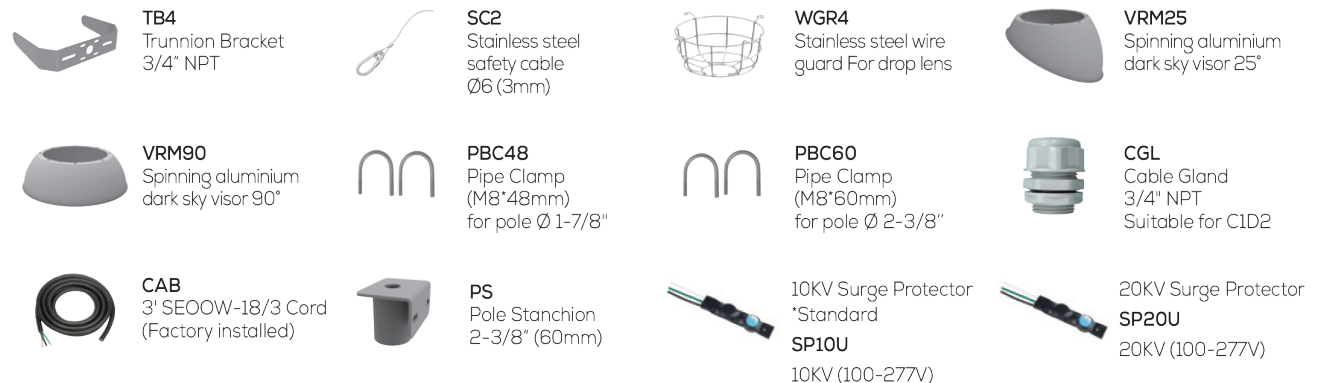
## Ordering Information and Mounting Accessories



## Mounting Options



## Accessories



# Jet™ GHRS LED Hazardous Location Lighting

## Important Information

This manual contains safety information, please read carefully and follow the instruction strictly.

## WARNING: INSTALLATION & SECONDARY RETENTION

Improper installation and handling, including secondary safety retention/securing/netting, may cause severe injury or death. We recommend that all installations should use secondary retention and/or safety netting (appropriate to the installation environment) where applicable. It is the exclusive responsibility of the contractor, installer and/or end customer to: (a) determine the suitability of the product for its intended application; and, (b) ensure that the product is installed safely (with secondary retention and/or safety netting where appropriate) and in compliance with all applicable laws and regulations. To the extent permissible under the relevant law, we disclaims all responsibility for personal injury and/or other damage resulting from any dislodgement or other dislocation of this product.

## WARNING

To avoid the risks of fire, explosion, or electric shock, this product should be installed, inspected, and maintained by a qualified electrician in accordance with all applicable electrical rules and regulations.

### Safety Instructions:

- Be certain, the electrical power is OFF before and during installation and maintenance.
- Make sure the supply voltage is the same as the rated luminaire voltage.
- The technical data indicated on the LED luminaires are to be observed.
- Any change on the design and modifications to the LED luminaire are not permitted.
- Observe the national/regional electrical safety rules and regulations during installation.
- LED beads are NOT replaceable. Replacement of whole set of light fixture is strongly recommended.
- All wiring connections should be capped with UL approved wire connectors.
- Luminaire MUST be well grounded.
- Any combustible materials MUST be kept away from the luminaire.
- Min 90°C supply conductors.
- Do not open the cover after installing the luminaire.

### Maintenance:

1. To avoid personal injury, before maintaining, disconnect the light first, and then wait for the luminaire temperature dropping into the safe range.
2. All parts must be checked by mechanical means to ensure they are properly assembled.
3. The external glass should be cleaned regularly to ensure continued luminaire performance. Wipe the glass with a clean, wet, non-abrasive, and lint-free cloth. If this is not sufficient, use mild soap or liquid cleaner. Do NOT use an abrasive, strong alkaline or acid detergent which might damage the luminaire.
4. Check the cooling fins of the luminaire and remove the dust or other sorts of things which accumulated on the luminaire.
5. Visual, electrical and mechanical inspections on the luminaire should be on a regular basis. We highly suggest that this routine inspection should be done at least once a year. The environment condition, where the luminaire installed, determines the frequency of inspection.
6. All electric connections MUST be checked and ensured that they are clean and firm.

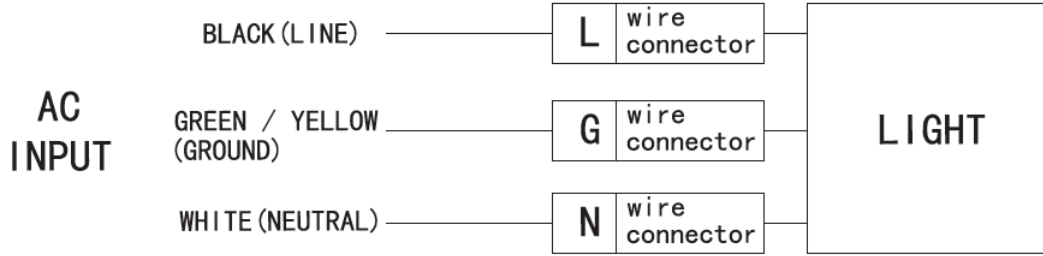


**Electrical Connections:**

**WARNING:**

Cut off the electric power supply from the circuit breaker or the fuse before wiring luminaire to the circuit.

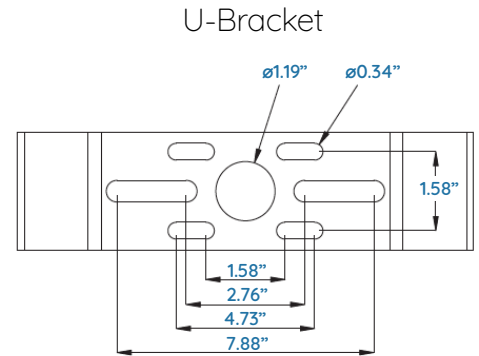
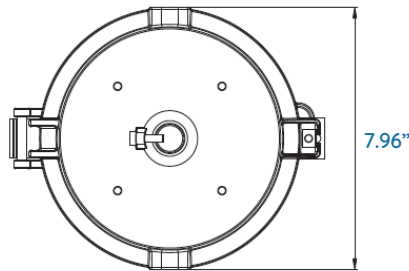
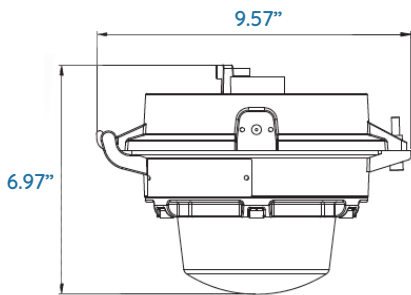
Do not connect the dimming wires. The connections are marked on the wire connector or on a label and are presented figure below.



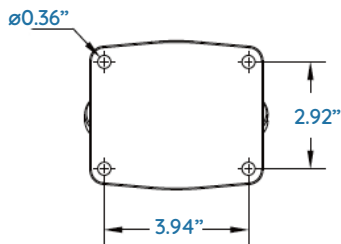
**Installation & Operations:**

1. Loosen the M6 Socket head cap screws on the Tank Cover.
2. Attach the Tank to the 3/4" NPT conduit.
3. Thread the wire through conduit, and connect to wire connector.
4. Re-attach the Tank cover and tight it by M6 Socket head cap screws with torque value 10 N-m.
5. Check the tightness of conduit and Tank.

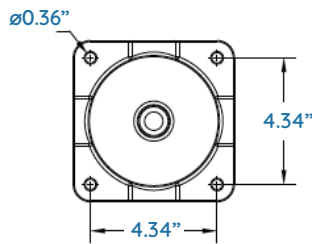
**Technical Diagrams:**



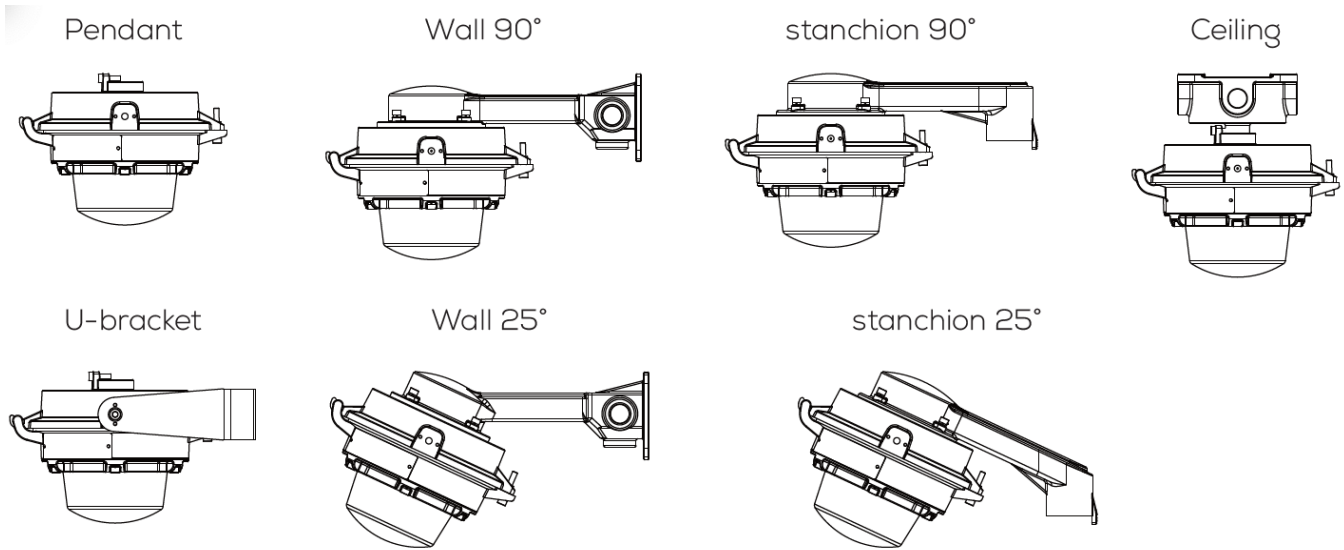
Slip Fitter (Wall)



Slip Fitter (Ceiling)

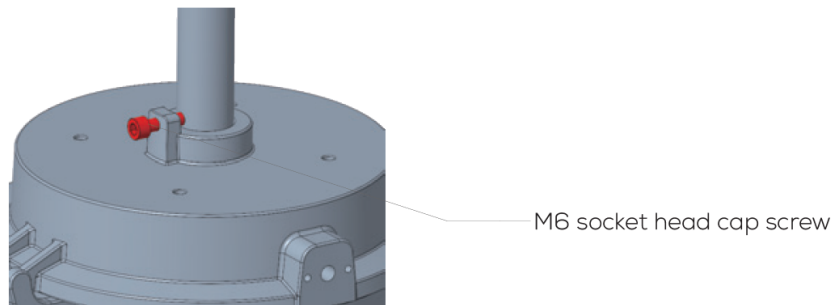


**Installation:**



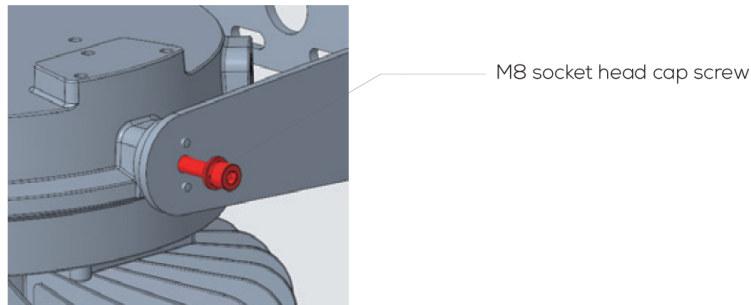
**Pendant:**

Fix the light with screws after installation and wiring. Torque: 7 N-m

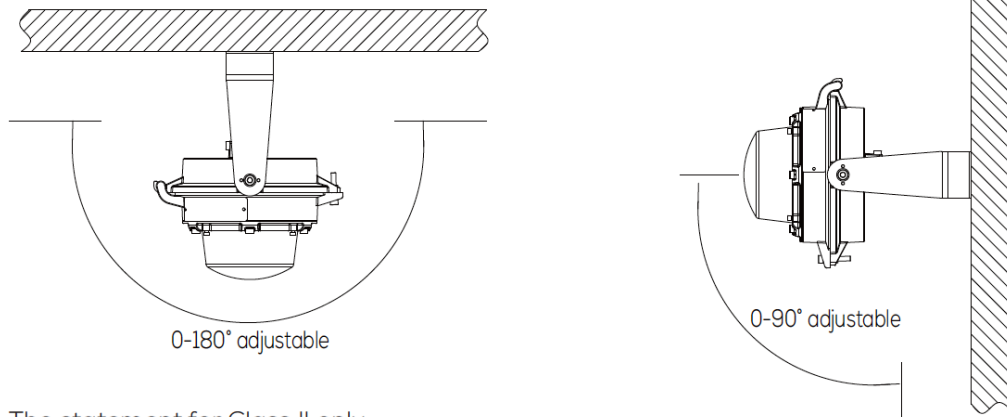


**U-bracket:**

Once mounted, the angle of the luminaire can be adjusted by loosening the M8 socket head cap screw on each side of the bracket. When loosening, do not back bolt out more than 5 full rotations. When the desired angle has been achieved, the bolts can be tightened to lock in the angle. Torque: 10 N-m.



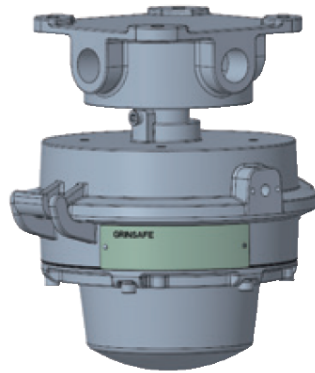
**Installation Diagram:**



The statement for Class II only:  
 "Mounting Orientation – Lens Facing Down 0°~90° From Vertical Only"

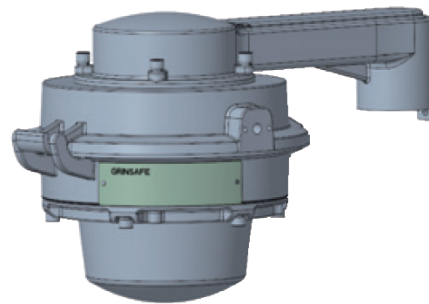
**Slip Fitter (Ceiling):**

1. Fix Slip Fitter (Ceiling) to Driver Cover.
2. Mount the luminaire;
3. Connect wires to the wire connector;
4. Locking M6 socket head cap screw.



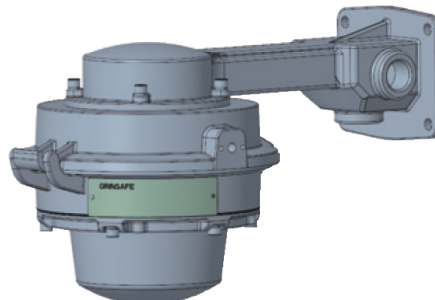
**Slip Fitter (Stanchion):**

1. Fix Slip Fitter to pole.
2. Mount the luminaire with M6 screws; Torque: 7 N-m.
3. Connect wires to the wire connector.



**Slip Fitter (Wall):**

1. Fix Slip Fitter to wall.
2. Mount the luminaire with M6 screws; Torque: 7 N-m.
3. Connect wires to the wire connector.



**Models:**

Models GH; followed by RS; followed by -05, -03

Models	Power	Rated Voltage	Ambient Temp
GHRS-05-U	30W	U:100-277V	-40°C (-40°F) ~ +65°C (149 °F)
GHRS-03-U	20W	U:100-277V	

