

Distributor for:  
**GRINSAFE®**



These versatile, feature-packed fixtures are designed to not only meet but surpass the rigorous demands of the food processing industry, industrial and commercial settings, as well as architectural applications.

## Compliance

### NEC/CEC Standard

- UL 844 Hazardous Locations
  - Class I Division 2, Groups A, B, C, D
  - Class II Division 1, Groups E, F, G
  - Class II Division 2, Groups F, G
  - Class III
  - Class I, Zone 2, Group IIC

- CSA C22.2 No.137
- CSA C22.2 No.141
- CSA C22.2 No.250.0:21
- UL 924
- UL 1598 Wet Locations
- UL 8750 LED Safety
- ABS
- FCC
- IP66/67 | IK09 | 5G | NEMA 4X

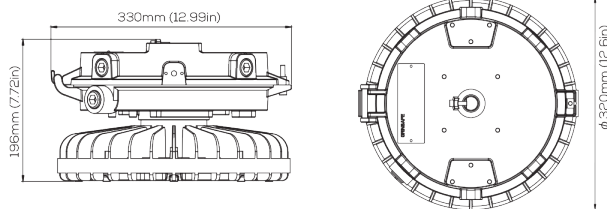
## Emergency

90-minute minimum run time at 2,420 lumens in emergency mode.

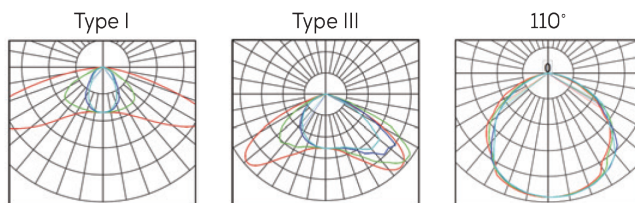


## Dimensions

unit: mm(in)



## Beam Distribution



## Technical Data

### Electrical

Rated Power	40W / 60W / 80W / 100W
Input Voltage	120-277VAC
Input Frequency	50/60Hz
Power Factor	> 0.95
Driver Efficiency	≥ 90%
DC output Ripple & Noise	<200mVP-P

### Optical

Lumen Output	6,800lm ~ 17,000lm
Luminous Efficacy (Lumens per Watt)	170 lm/W
Beam Angle	T1 / T3 / 110°
Color Temperature (CCT)	Amber 2700K 3000K 4000K 5000K
CRI	Ra>70

### Emergency Back-up

Emergency Output	15W , ≥2,420lm 9W , ≥1,350lm (cold weather)
Recharging time	≥4 hours
Battery Backup Runtime	≥90 mins

### Environmental

Ambient Operating Temperature	0°C ~ +50°C -20°C ~ +50°C (cold weather)
Ambient Operating Humidity	10%~90% RH
Atmospheric pressure	86~106KPa

### Technical

Lens Material	Glass / PC / Drop lens
Mounting Options	Pendant / Ceiling / Wall mount / Stanchion / U-Bracket
Gand's Spec	3/4" NPT, 1" NPT, 1-1/4" NPT, 1-1/2" NPT
Net Weight	8kg (17.64 lbs)

## Warranty

5-year limited system warranty  
Lumen Maintenance: L70 > 150,000 hours @ 25°C

## Downloadable IES Files









## Ordering Information and Mounting Accessories

<b>GHRL</b>	<b>17</b>	<b>U</b>	<b>C</b>	<b>2</b>	<b>110</b>	<b>NW</b>	<b>TG</b>	<b>PD1</b>	<b>GR</b>	<b>XX</b>
<b>Model</b> GHRL	<b>Voltage</b> U - AC120-277V	<b>Temp. Ambient</b> (blank) - Not Required (0-50°C) C - Cold weather (-20-50°C)	<b>Optics</b> T1 - T1 T3 - T3 110 - 110°	<b>Color Temp</b> WW - 2700K (Warm white) SW - 3000K (Soft white) NW - 4000K (Neutral white) CW - 5000K (Cool white) AM - Amber	<b>Mount Style</b> PD1 - Pendant mount (3/4" NPT) PD2 - Pendant mount (1" NPT) TB3 - Trunnion bracket (3/4" NPT) W90 - Wall mount 90° W25 - Wall mount 25° S90A - Stanchion-90° (1-1/4" NPT) S90B - Stanchion-90° (1-1/2" NPT) S25A - Stanchion-25° (1-1/4" NPT) S25B - Stanchion-25° (1-1/2" NPT) FLM - Flush ceiling mount	<b>Accessories</b> EMB - Emergency battery back-up WGR1 - Wire guard for flat glass WGR2 - wire guard for drop lens SC1 - Safety cable VRL25 - Dark sky bolt-on visor 25° VRL90 - Dark sky bolt-on visor 90° SP10U - 10KV surge protector (100-277V) *Standard SP20U - 20KV surge protector (100-277V) PBC48 - Pipe clamp (M8*48mm) for pole Ø 1-7/8" (48mm) PBC60 - Pipe clamp (M8*60mm) for pole Ø 2-3/8" (60mm) CAB - 3' SE00W-18/3 Cord CGL - Cable gland 3/4" NPT PS - Pole Stanchion 2" (60mm)				
<b>Power</b> 07 - 6,800 lm (40W) 10 - 10,200 lm (60W) 14 - 13,600 lm (80W) 17 - 17,000 lm (100W)	<b>Ex. Level</b> 2 - C1D2, C2D1 0 - None Hazardous				<b>Lens</b> TG - Clear glass FG - Frosted glass DFG - Frosted glass drop lens TPL - Clear polycarbonate <sup>1</sup> FPL - Frosted polycarbonate <sup>1</sup>	<b>Color</b> GR - Gray				

<sup>1</sup> Only available for C1D2 areas

## Mounting Options

 <b>PD1</b> Pendant mount 3/4" NPT	 <b>TB3</b> Trunnion Bracket 3/4" NPT	 <b>W90</b> Wall mount 90° 3/4" NPT	 <b>W25</b> Wall mount 25° 3/4" NPT
 <b>PD2</b> Pendant mount 1" NPT	 <b>S90A</b> Stanchion mount 90°, 1-1/4"NPT	 <b>S25A</b> Stanchion mount 25°, 1-1/4"NPT	 <b>FLM</b> Flush Ceiling Mount
 <b>S90B</b> Stanchion mount 90°, 1-1/2"NPT	 <b>S25B</b> Stanchion mount 25°, 1-1/2"NPT		

## Accessories

 <b>TB3</b> Trunnion Bracket 3/4" NPT	 <b>FLM</b> Flush ceiling mount kit 1 pair	 <b>WGR1</b> Bolt-on wire guard for Flat Glass	 <b>WGR2</b> Bolt-on wire guard for Drop Lens
 <b>PBC48</b> Pipe clamp (M8*48mm) for pole Ø 1-7/8"	 <b>PBC60</b> Pipe clamp (M8*60mm) for pole Ø 2-3/8"	 <b>VRL25</b> Dark sky bolt-on visor 25° (Spinning aluminium)	 <b>VRL90</b> Dark sky bolt-on visor 90° (Spinning aluminium)
 <b>CGL</b> Cable gland 3/4" NPT Suitable for C1D2	 <b>CAB</b> 3' SE00W-18/3 Cord (Factory installed)	 <b>SC1</b> Stainless steel safety cable Ø8 (4mm)	 <b>PS</b> Pole Stanchion 2-3/8" (60mm)
 <b>SP10U</b> Surge Protector 10KV (100-277V) *Standard	 <b>SP20U</b> Surge Protector 20KV (100-277V)		



# Cannon™ GHRL Hazardous Location Lighting

## Important Information

This manual contains safety information, please read carefully and follow the instruction strictly.

## WARNING: INSTALLATION & SECONDARY RETENTION

Improper installation and handling, including secondary safety retention/securing/netting, may cause severe injury or death. We recommend that all installations should use secondary retention and/or safety netting (appropriate to the installation environment) where applicable. It is the exclusive responsibility of the contractor, installer and/or end customer to: (a) determine the suitability of the product for its intended application; and, (b) ensure that the product is installed safely (with secondary retention and/or safety netting where appropriate) and in compliance with all applicable laws and regulations. To the extent permissible under the relevant law, we disclaims all responsibility for personal injury and/or other damage resulting from any dislodgement or other dislocation of this product.

## WARNING

To avoid the risks of fire, explosion, or electric shock, this product should be installed, inspected, and maintained by a qualified electrician in accordance with all applicable electrical rules and regulations.

### Safety Instructions:

- Be certain, the electrical power is OFF before and during installation and maintenance.
- Make sure the supply voltage is the same as the rated luminaire voltage.
- The technical data indicated on the LED luminaires are to be observed.
- Any change on the design and modifications to the LED luminaire are not permitted.
- Observe the national/regional electrical safety rules and regulations during installation.
- LED beads are NOT replaceable. Replacement of whole set of light fixture is strongly recommended.
- All wiring connections should be capped with UL approved wire connectors.
- Luminaire MUST be well grounded.
- Any combustible materials MUST be kept away from the luminaire.
- Min 90°C supply conductors.
- Do not open the cover after installing the luminaire.

### Maintenance:

1. To avoid personal injury, before maintaining, disconnect the light first, and then wait for the luminaire temperature dropping into the safe range.
2. All parts must be checked by mechanical means to ensure they are properly assembled.
3. The external glass should be cleaned regularly to ensure continued luminaire performance. Wipe the glass with a clean, wet, non-abrasive, and lint-free cloth. If this is not sufficient, use mild soap or liquid cleaner. Do NOT use an abrasive, strong alkaline or acid detergent which might damage the luminaire.
4. Check the cooling fins of the luminaire and remove the dust or other sorts of things which accumulated on the luminaire.
5. Visual, electrical and mechanical inspections on the luminaire should be on a regular basis. We highly suggest that this routine inspection should be done at least once a year. The environment condition, where the luminaire installed, determines the frequency of inspection.
6. All electric connections MUST be checked and ensured that they are clean and firm.



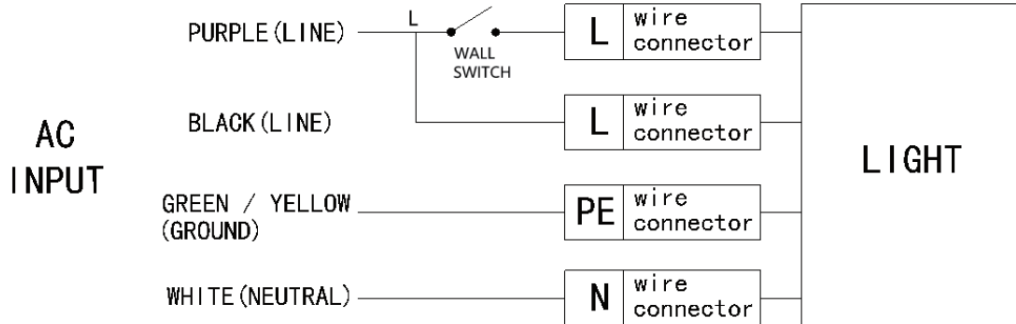
## Electrical Connections:

### WARNING:

Cut off the electric power supply from the circuit breaker or the fuse before wiring luminaire to the circuit.

Do not connect the dimming wires.

The connections are marked on the wire connector or on a label and are presented figure below.



## Installation & Operations:

1. Loosen the M6 Socket head cap screws on the Tank Cover.
2. Attach the Tank to the 3/4" NPT conduit.
3. Thread the wire through conduit, and connect to wire connector.
4. Re-attach the Tank cover and tight it by M6 Socket head capscrews with torque value 10 N-m.
5. Check the tightness of conduit and Tank.

## Installing the Remote Test Switch in Ordinary or Non-Hazardous Location:

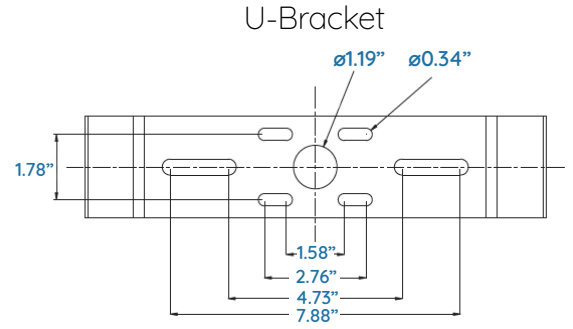
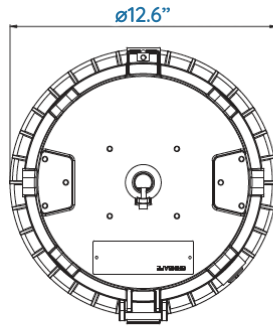
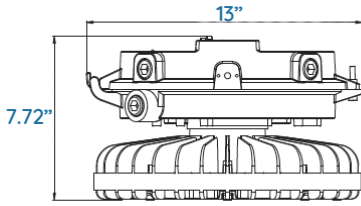
This luminaire has provision to install a remote mounted test switch for the battery.

The remote test switch shall comply with the following:

1. The remote test switch shall be certified for the area where it is to be installed (ordinary or non hazardous locations).
2. The remote test switch shall be a manually operated type.
3. The remote test switch shall be of :
  - a. Operated type and of momentary-contact type ,or
  - b. Maintained-break type that opens all ungrounded conductors and be accessible to authorized person.
4. The remote test switch shall be installed using acceptable wiring methods for the areas involved in accordance with the NEC.
5. The remote test switch shall be identified as to its function  
(i.e. - marked "Emergency Luminaire Test Switch").
6. When the remote test switch is installed, it has be connected such that when it is depressed it provides a transfer function, disconnects and isolates the normal input from the emergency input.

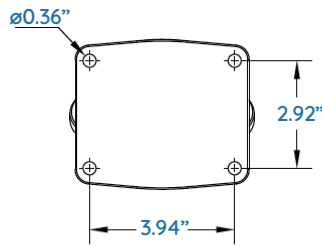
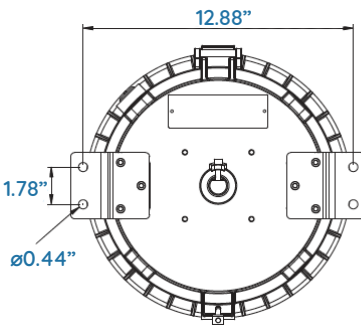


**Dimensions:**



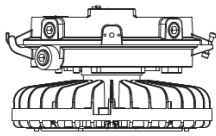
Ceiling-Bracket

Slip Fitter (Wall)

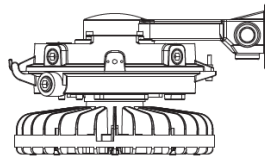


**Installation:**

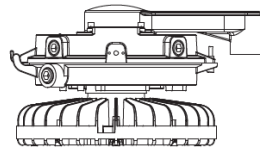
Pendant



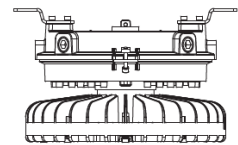
Wall 90°



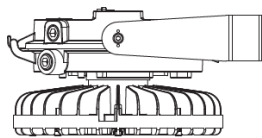
Stanchion 90°



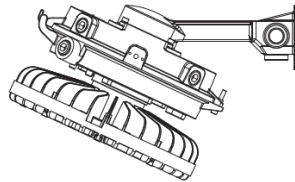
Ceiling



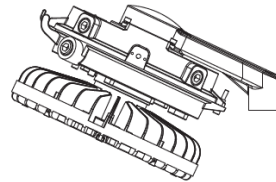
U-bracket



Wall 25°

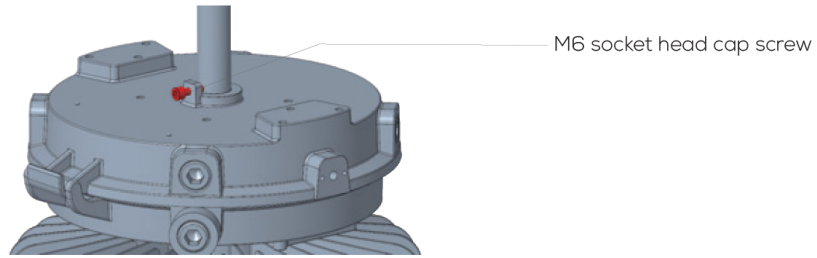


Stanchion 25°



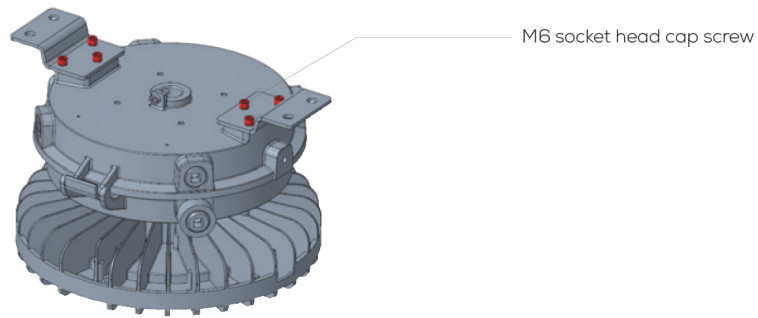
**Pendant:**

Fix the light with screws after installation and wiring. Torque: 7 N-m



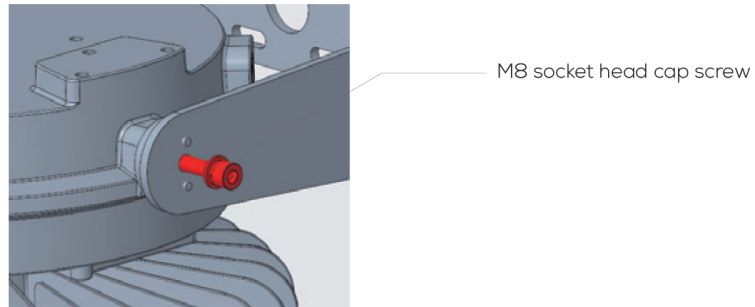
**Flush mount by Ceiling-Bracket:**

1. Fix the bracket on the lamp with M6 screws, Torque: 7 N-m.
2. Mount the luminaire.
3. Connect wires to the wire connector.

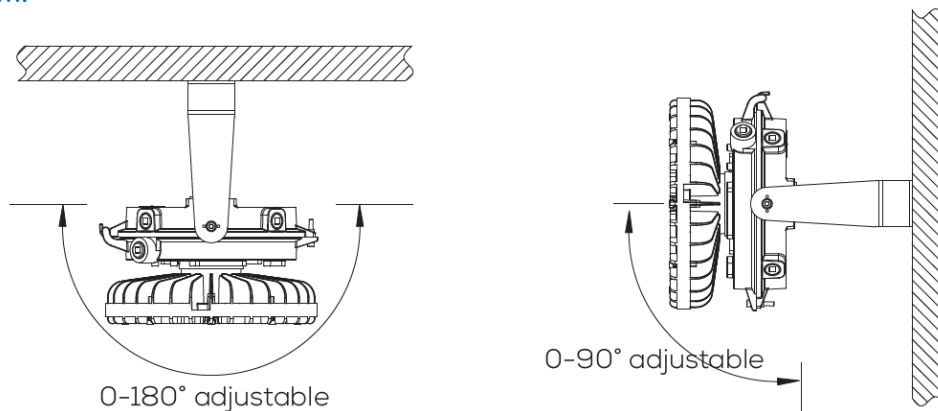


**U-bracket:**

Once mounted, the angle of the luminaire can be adjusted by loosening the M8 socket head cap screw on each side of the bracket. When loosening, do not back bolt out more than 5 full rotations. When the desired angle has been achieved, the bolts can be tightened to lock in the angle. Torque: 10 N-m.



**Installation Diagram:**



The statement for Class II only:  
 "Mounting Orientation - Lens Facing Down 0°~90° From Vertical Only"



**Models:**

Models GH; followed by RL; followed by -34, -26, -17, -14

Models	Power	Rated Voltage	Ambient Temp	Ambient Temp(Emergency)
GHRL-34-U	200W	U:100-277V	-40°C (-40°F) ~ +60 °C (140 °F)	0°C (32°F) ~ +50 °C (122 °F)
GHRL-26-U	150W	U:100-277V	-40°C (-40°F) ~ +60 °C (140 °F)	
GHRL-17-U	100W	U:100-277V		
GHRL-14-U	80W	U:100-277V		

