

Distributor for:

GRINSAFE[®]



CANNONTM GHRL

Hazardous Location Lighting

These versatile, feature-packed fixtures are designed to not only meet but surpass the rigorous demands of the food processing industry, industrial and commercial settings, as well as architectural applications.

Compliance

NEC/CEC Standard

- UL 844 Hazardous Locations
 - Class I Division 2, Groups A, B, C, D
 - Class II Division 1, Groups E, F, G
 - Class II Division 2, Groups F, G
 - Class III
 - Class I, Zone 2, Group IIC

CSA C22.2 No.137

CSA C22.2 No.250.0

UL 1598 Wet Locations

UL 1598A Marine Outside Type (Salt Water)

UL 8750 LED Safety

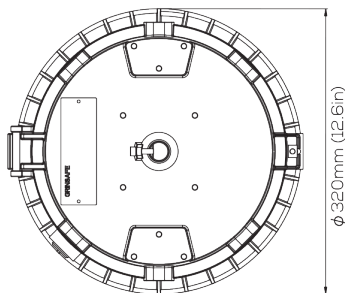
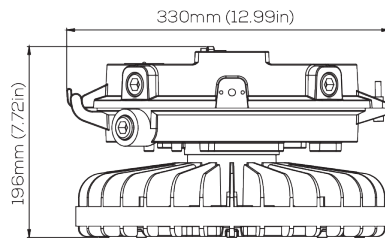
ABS

FCC

IP66/67 | IK09 | 5G | NEMA 4X

Dimensions

unit: mm(in)



Technical Data

Electrical

Rated Power	80W / 100W / 150W / 200W
Input Voltage	100-277V, 347-480V/AC
Input Frequency	50/60Hz
Power Factor	> 0.95
Driver Efficiency	≥ 90%
DC output Ripple & Noise	<200mVP-P

Optical

Lumen Output	13,600lm ~ 32,000lm
Luminous Efficacy (Lumens per Watt)	170 lm/W
Beam Angle	T1 / T3 / 110°
Correlated Color Temperature (CCT)	Amber 2700K 3000K 4000K 5000K
CRI	Ra>70

Environmental

Ambient Operating Temperature	-40°C~+65°C (80W / 100W / 150W) -40°C~+60°C (200W)
Ambient Operating Humidity	10%-90% RH
Atmospheric pressure	86~106KPa

Technical

Lens Material	Glass / PC / Drop lens
Mounting Options	Pendant / Ceiling / Wall mount / Stanchion / U-Bracket
Gand's Spec	3/4" NPT, 1" NPT, 1-1/4" NPT, 1-1/2" NPT
Net Weight	7.7kg (16.98 lbs)

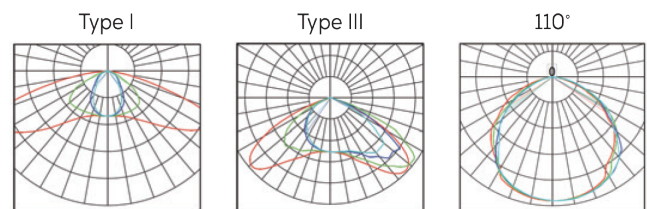
Warranty

5-year limited system warranty

Lumen Maintenance: L70 > 150,000 hours @ 25°C

Downloadable IES Files

Beam Distribution



Ordering Information and Mounting Accessories

GHRL	26	U	2	110	NW	TG	PD1	GR	XX
Model GHRL		Voltage U -100-277V/AC N -347-480V/AC			Color Temp WW - 2700K (Warm white) SW - 3000K (Soft white) NW - 4000K (Neutral white) CW - 5000K (Cool white) AM - Amber AJC - Adjustable CCT (3000K/4000K/5000K)		Mount Style PD1 - Pendant mount (3/4" NPT) PD2 - Pendant mount (1" NPT) TB3 - Trunnion bracket (3/4" NPT) W90 - Wall mount 90° W25 - Wall mount 25° S90A - Stanchion-90° (1-1/4" NPT) S90B - Stanchion-90° (1-1/2" NPT) S25A - Stanchion-25° (1-1/4" NPT) S25B - Stanchion-25° (1-1/2" NPT) FLM - Flush ceiling mount		Accessories WGR1 - Wire guard for flat glass WGR2 - wire guard for drop lens SC1 - Safety cable VRL25 - Dark sky bolt-on visor 25° VRL90 - Dark sky bolt-on visor 90° SP10U - 10KV surge protector (100-277V) *Standard SP10N - 10KV surge protector (347-480V) *Standard SP20U - 20KV surge protector (100-277V) SP20N - 20KV surge protector (347-480V) PBC48 - Pipe clamp (M8*48mm) for pole Ø 1-7/8" (48mm) PBC60 - Pipe clamp (M8*60mm) for pole Ø 2-3/8" (60mm) CAB - 3' SE00W-18/3 Cord CGL - Cable gland 3/4" NPT PS - Pole Stanchion 2" (60mm)
Power 14 - 13,600 lm (80W) 17 - 17,000 lm (100W) 26 - 25,500 lm (150W) 34 - 32,000 lm (200W)		Ex. Level 2 - C1D2, C2D1 0 - None Hazardous			Lens TG - Clear glass FG - Frosted glass DFG - Frosted glass drop lens TPL - Clear polycarbonate ¹ FPL - Frosted polycarbonate ¹		Color GR - Gray		

¹ Only available for C1D2 areas

Mounting Options

	PD1 Pendant mount 3/4" NPT		TB3 Trunnion Bracket 3/4" NPT		W90 Wall mount 90° 3/4" NPT		W25 Wall mount 25° 3/4" NPT
	PD2 Pendant mount 1" NPT		S90A Stanchion mount 90°, 1-1/4" NPT		S25A Stanchion mount 25°, 1-1/4" NPT		FLM Flush Ceiling Mount
	S90B Stanchion mount 90°, 1-1/2" NPT		S25B Stanchion mount 25°, 1-1/2" NPT				

Accessories

	TB3 Trunnion Bracket 3/4" NPT		FLM Flush ceiling mount kit 1 pair		WGR1 Bolt-on wire guard for Flat Glass		WGR2 Bolt-on wire guard for Drop Lens
	PBC48 Pipe clamp (M8*48mm) for pole Ø 1-7/8"		PBC60 Pipe clamp (M8*60mm) for pole Ø 2-3/8"		VRL25 Dark sky bolt-on visor 25° (Spinning aluminium)		VRL90 Dark sky bolt-on visor 90° (Spinning aluminium)
	CGL Cable gland 3/4" NPT Suitable for C1D2		CAB 3' SE00W-18/3 Cord (Factory installed)		SC1 Stainless steel safety cable Ø8 (4mm)		PS Pole Stanchion 2-3/8" (60mm)
	10KV Surge Protector *Standard SP10U 10KV (100-277V)		20KV Surge Protector SP20U 20KV (100-277V)				
	SP10N 10KV (347-480V)		SP20N 20KV (347-480V)				



Cannon™ GHRL Hazardous Location Lighting

Important Information

This manual contains safety information, please read carefully and follow the instruction strictly.

WARNING: INSTALLATION & SECONDARY RETENTION

Improper installation and handling, including secondary safety retention/securing/netting, may cause severe injury or death. We recommend that all installations should use secondary retention and/or safety netting (appropriate to the installation environment) where applicable. It is the exclusive responsibility of the contractor, installer and/or end customer to: (a) determine the suitability of the product for its intended application; and, (b) ensure that the product is installed safely (with secondary retention and/or safety netting where appropriate) and in compliance with all applicable laws and regulations. To the extent permissible under the relevant law, we disclaims all responsibility for personal injury and/or other damage resulting from any dislodgement or other dislocation of this product.

WARNING

To avoid the risks of fire, explosion, or electric shock, this product should be installed, inspected, and maintained by a qualified electrician in accordance with all applicable electrical rules and regulations.

Safety Instructions:

- Be certain, the electrical power is OFF before and during installation and maintenance.
- Make sure the supply voltage is the same as the rated luminaire voltage.
- The technical data indicated on the LED luminaires are to be observed.
- Any change on the design and modifications to the LED luminaire are not permitted.
- Observe the national/regional electrical safety rules and regulations during installation.
- LED beads are NOT replaceable. Replacement of whole set of light fixture is strongly recommended.
- All wiring connections should be capped with UL approved wire connectors.
- Luminaire MUST be well grounded.
- Any combustible materials MUST be kept away from the luminaire.
- Min 90°C supply conductors.
- Do not open the cover after installing the luminaire.

Maintenance:

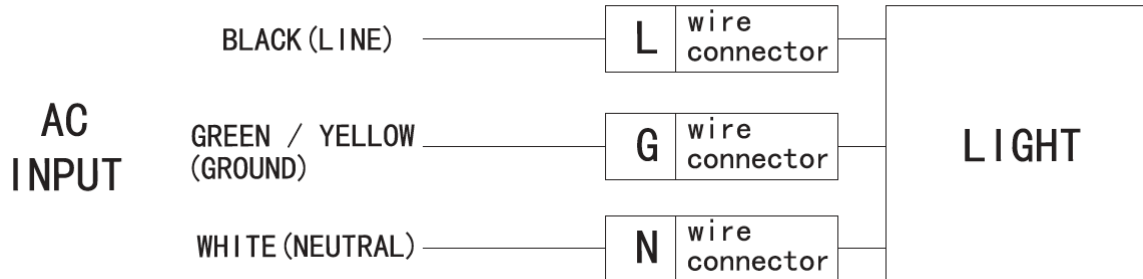
1. To avoid personal injury, before maintaining, disconnect the light first, and then wait for the luminaire temperature dropping into the safe range.
2. All parts must be checked by mechanical means to ensure they are properly assembled.
3. The external glass should be cleaned regularly to ensure continued luminaire performance. Wipe the glass with a clean, wet, non-abrasive, and lint-free cloth. If this is not sufficient, use mild soap or liquid cleaner. Do NOT use an abrasive, strong alkaline or acid detergent which might damage the luminaire.
4. Check the cooling fins of the luminaire and remove the dust or other sorts of things which accumulated on the luminaire.
5. Visual, electrical and mechanical inspections on the luminaire should be on a regular basis. We highly suggest that this routine inspection should be done at least once a year. The environment condition, where the luminaire installed, determines the frequency of inspection.
6. All electric connections MUST be checked and ensured that they are clean and firm.



Electrical Connections:

WARNING:

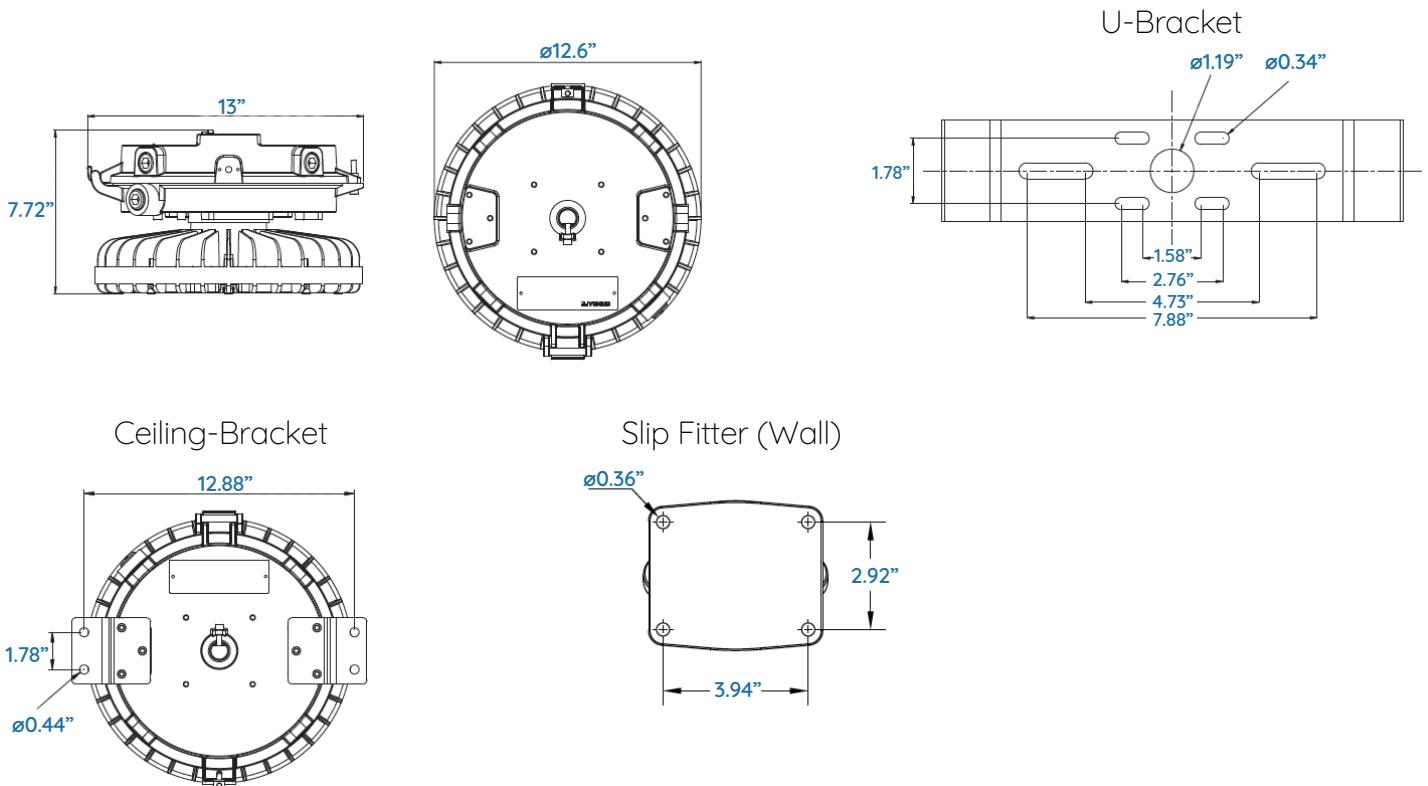
Cut off the electric power supply from the circuit breaker or the fuse before wiring luminaire to the circuit.
Do not connect the dimming wires.
The connections are marked on the wire connector or on a label and are presented figure below.



Installation & Operations:

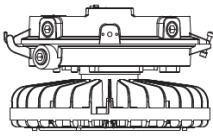
1. Loosen the M6 Socket head cap screws on the Tank Cover.
2. Attach the Tank to the 3/4" NPT conduit.
3. Thread the wire through conduit, and connect to wire connector.
4. Re-attach the Tank cover and tight it by M6 Socket head capscrews with torque value 10 N-m.
5. Check the tightness of conduit and Tank.

Technical Diagrams:

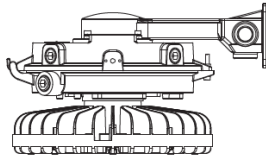


Installation:

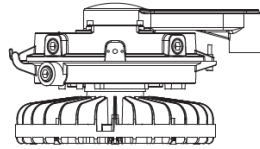
Pendant



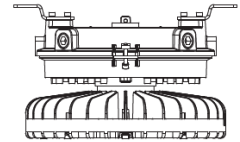
Wall 90°



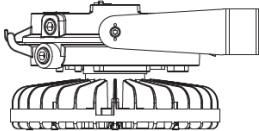
Stanchion 90°



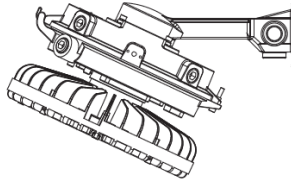
Ceiling



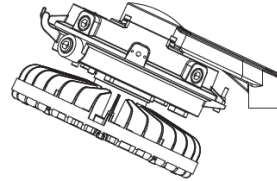
U-bracket



Wall 25°

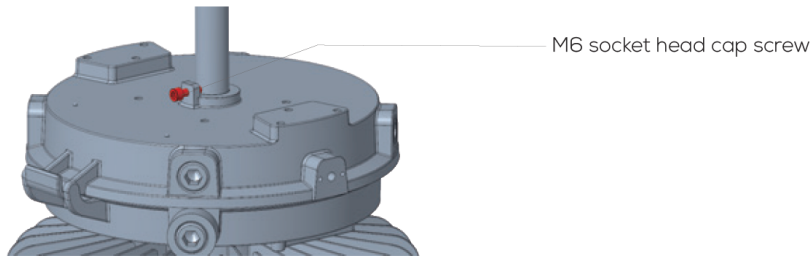


Stanchion 25°



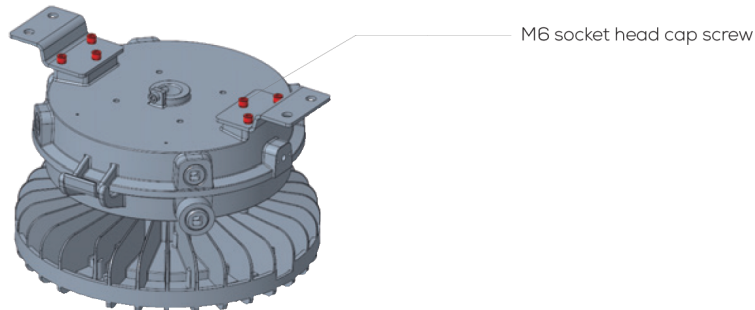
Pendant:

Fix the light with screws after installation and wiring. Torque: 7 N-m



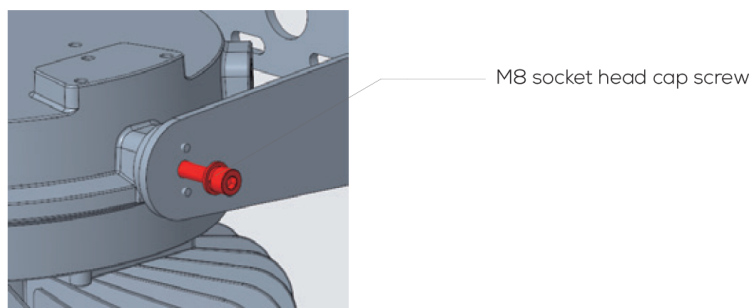
Flush mount by Ceiling-Bracket:

1. Fix the bracket on the lamp with M6 screws, Torque: 7 N-m.
2. Mount the luminaire.
3. Connect wires to the wire connector.

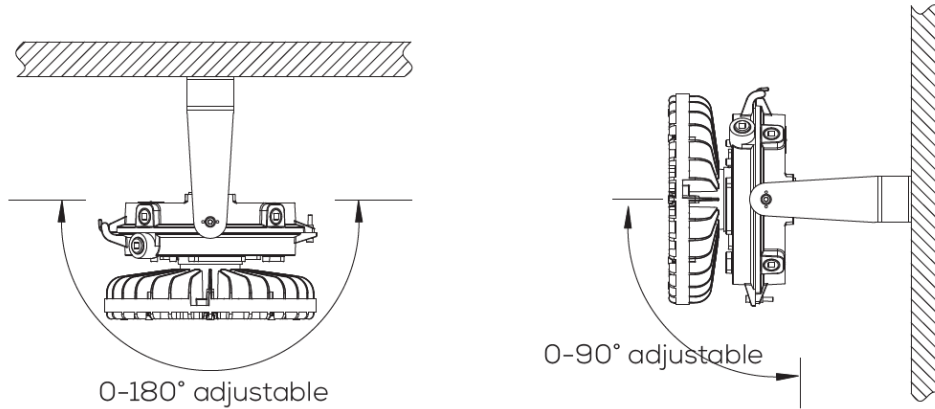


U-bracket:

Once mounted, the angle of the luminaire can be adjusted by loosening the M8 socket head cap screw on each side of the bracket. When loosening, do not back bolt out more than 5 full rotations. When the desired angle has been achieved, the bolts can be tightened to lock in the angle. Torque: 10 N-m.



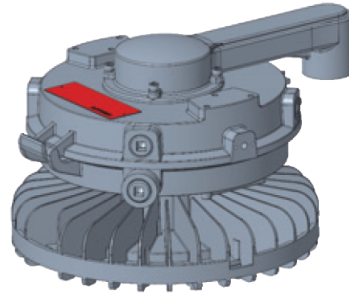
Installation Diagram:



The statement for Class II only:
"Mounting Orientation – Lens Facing Down 0°~90° From Vertical Only"

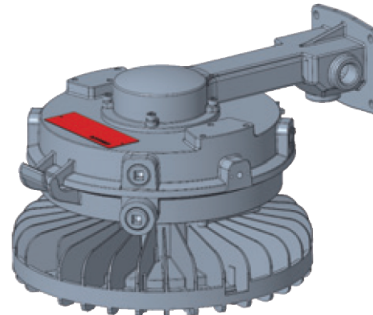
Slip Fitter (Stanchion):

1. Fix Slip Fitter to pole;
2. Mount the luminaire;
3. Connect wires to the wire connector.



Slip Fitter (Wall):

1. Fix Slip Fitter to wall;
2. Mount the luminaire;
3. Connect wires to the wire connector.



Models:

Models GH; followed by RL; followed by -34, -26, -17, -14

Models	Power	Rated voltage	Ambient Temp
GHRL-34-U GHRL-34-N	200W	U:100-277V N:347-480V	-40°(-40°F)~+60°C(140°F)
GHRL-26-U GHRL-26-N	150W	U:100-277V N:347-480V	-40°(-40°F)~+65°C(149°F)
GHRL-17-U GHRL-17-N	100W	U:100-277V N:347-480V	
GHRL-14-U GHRL-14-N	80W	U:100-277V N:347-480V	

