

Distributor for:

GRINSAFE®



BLAZE™ GST

High Temperature Lighting

Capable of operating in ambient temperatures up to 194°F (90°C), the GST series LED luminaire delivers outstanding efficiency with 160 lm/W and minimal maintenance costs, making it ideal for demanding hot industrial environments. Offering a lumen output range from 16,000 to 72,000, it serves as an excellent replacement for 250W to 1000W HID fixtures.

Compliance

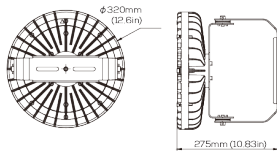
CE
UL 1598 Wet Location
UL 8750 LED Safety
IP66/67
IK09

Features

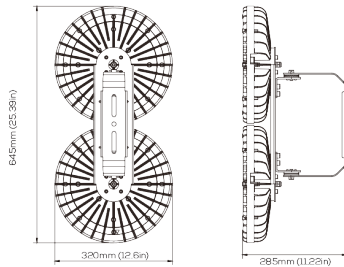
- Operation temperature up to 90°C
- Wattage range from 100W (16,000lm) to 600W (89,000lm)
- Luminous efficiency up to 160lm/W
- 120V / 220V / 277V AC
- Limited system warranty
20,000hrs @90°C (2 years)
30,000hrs @80°C (3 years)
50,000hrs @70°C (5 years)

Dimensions

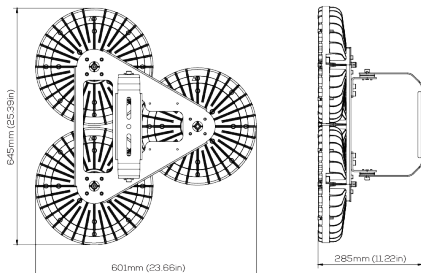
unit: mm(in)



1 module
(100W / 150W)



2 modules
(200W / 300W)



3 modules
(450W)

Technical Data

Electrical

Rated Power	100 / 150 / 200 / 300 / 450W
Input Voltage	120V / 220V / 277V/AC
Input Frequency	50/60Hz
Power Factor	> 0.90
Driver Efficiency	≥ 90%
DC output Ripple & Noise	< 200mVP-P

Optical

Lumen Output	16,000lm ~ 72,000lm
Luminous Efficacy (Lumens per Watt)	160 lm/W
Beam Angle	110°
Correlated Color Temperature	2700K 3000K 4000K 5000K
CRI	Ra>70

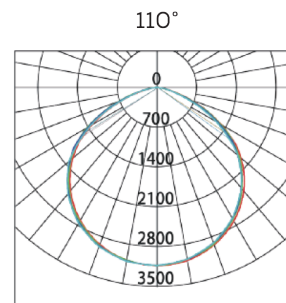
Environmental

Ambient Operating Temperature	-40°C~+90°C
Ambient Operating Humidity	10%~90% RH

Technical

Lens Material	Clear glass
Mounting Options	Hanging / U-Bracket
Net Weight	5.5kg (12.1 lbs) 10.5kg (23.2 lbs) 15.5kg (34.2 lbs)

Beam Distribution



Downloadable IES Files



Ordering Information and Mounting Accessories

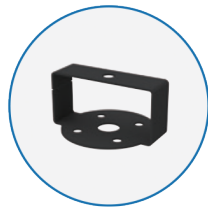
GST	16	U1	110	NW	TG	HR	BL	XX
Model GST	Lumens 16 - 16,000 lm (100W) 24 - 24,000 lm (150W) 32 - 32,000 lm (200W) 48 - 48,000 lm (300W) 72 - 72,000 lm (450W)	Voltage U1 - 120V U2 - 220V U3 - 277V	Optics 110 - 110°	Color Temp WW - 2700K (Warm white) SW - 3000K (Soft white) NW - 4000K (Neutral white) CW - 5000K (Cool white)	Lens TG - Clear glass	Mount Style TB7 - U-Bracket HB ¹ - Hanging Bracket	Color BL - Black	Accessories SC - Safety cable TJB - Twin-mount Junction Box HR - Hanging ring HE - Malleable Hook

¹ Only available for 1 module (GST-16, GST-24)

Mounting Options



TB7
U-Bracket



HB
Hanging bracket
(1 module only)



Accessories



HR
Hanging Ring



HE
Hanging Hook



SC1
Stainless steel
safety cable



TJB
Twin-mount
Junction Box



Blaze[™] GST High Temperature Lighting

Important Information

This manual contains safety information, please read carefully and follow the instruction strictly.

WARNING: INSTALLATION & SECONDARY RETENTION

Improper installation and handling, including secondary safety retention/securing/netting, may cause severe injury or death. We recommend that all installations should use secondary retention and/or safety netting (appropriate to the installation environment) where applicable. It is the exclusive responsibility of the contractor, installer and/or end customer to: (a) determine the suitability of the product for its intended application; and, (b) ensure that the product is installed safely (with secondary retention and/or safety netting where appropriate) and in compliance with all applicable laws and regulations. To the extent permissible under the relevant law, we disclaims all responsibility for personal injury and/or other damage resulting from any dislodgement or other dislocation of this product.

WARNING

To avoid the risks of fire, explosion, or electric shock, this product should be installed, inspected, and maintained by a qualified electrician in accordance with all applicable electrical rules and regulations.

Safety Instructions:

- Be certain, the electrical power is OFF before and during installation and maintenance.
- Make sure the supply voltage is the same as the rated luminaire voltage.
- The technical data indicated on the LED luminaires are to be observed.
- Any change on the design and modifications to the LED luminaire are not permitted.
- Observe the national/regional electrical safety rules and regulations during installation.
- LED beads are NOT replaceable. Replacement of whole set of light fixture is strongly recommended.
- All wiring connections should be capped with UL approved wire connectors.
- Luminaire MUST be well grounded.
- Any combustible materials MUST be kept away from the luminaire.
- Min 90°C supply conductors.
- Do not open the cover after installing the luminaire.

Maintenance:

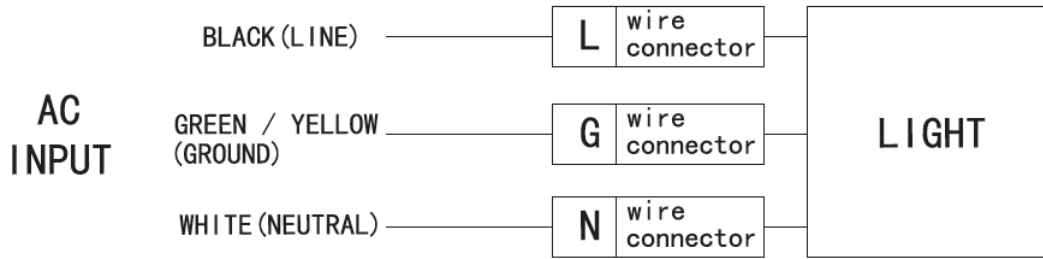
1. To avoid personal injury, before maintaining, disconnect the light first, and then wait for the luminaire temperature dropping into the safe range.
2. All parts must be checked by mechanical means to ensure they are properly assembled.
3. The external glass should be cleaned regularly to ensure continued luminaire performance. Wipe the glass with a clean, wet, non-abrasive, and lint-free cloth. If this is not sufficient, use mild soap or liquid cleaner. Do NOT use an abrasive, strong alkaline or acid detergent which might damage the luminaire.
4. Check the cooling fins of the luminaire and remove the dust or other sorts of things which accumulated on the luminaire.
5. Visual, electrical and mechanical inspections on the luminaire should be on a regular basis. We highly suggest that this routine inspection should be done at least once a year. The environment condition, where the luminaire installed, determines the frequency of inspection.
6. All electric connections MUST be checked and ensured that they are clean and firm.



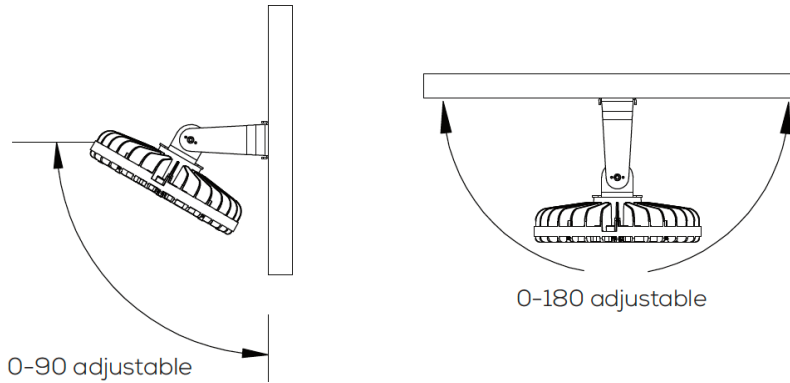
Electrical Connections:

WARNING:

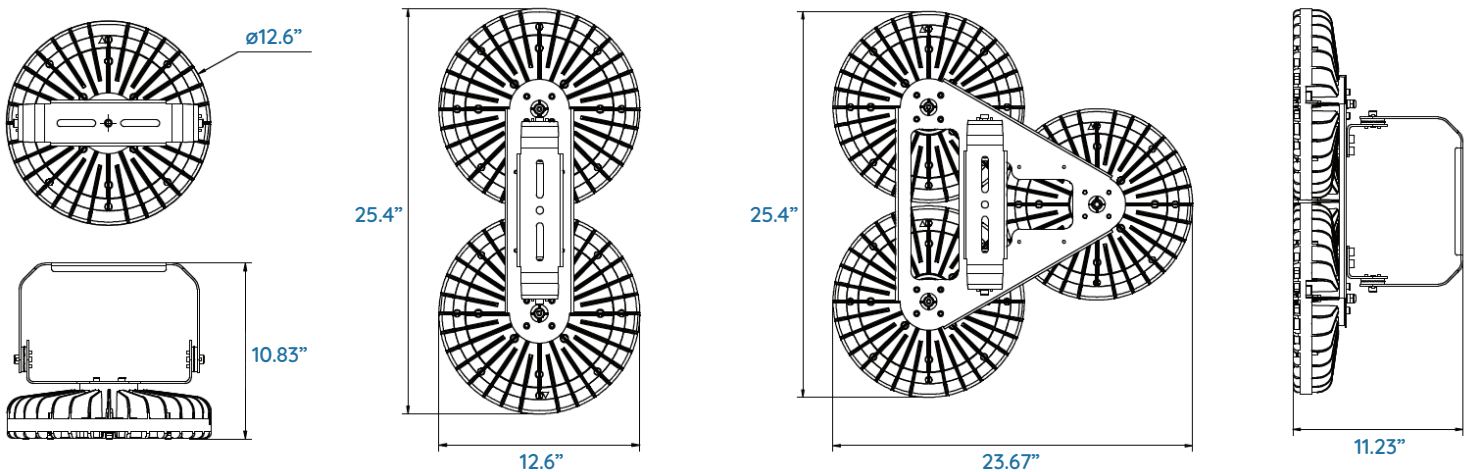
Cut off the electric power supply from the circuit breaker or the fuse before wiring luminaire to the circuit.
NEVER connect the dimming wires to the Live or Neutral terminals.
The connections are marked on the wire connector or on a label and are presented figure below.



Installation & Operations:



Technical Diagrams:



Strain Relief Bushing:

1. Input Cord - type SJOW or SITW, Min. 18x3C AWG, connected to a junction box using a UL Listed (QCRV/7) waterproof strain relief bushing suitable for Cord diameter;
2. Strain relief bushing need to be reliably installed to ensure the waterproof performance of the Luminaire.

Models:

Models	Power	Rated Voltage	Ambient Temp
GST-16-U1	100W	120V	-40°C ~ +90 °C
GST-16-U3		277V	
GST-24-U1	150W	120V	
GST-24-U3		277V	
GST-32-U1	200W	120V	
GST-32-U3		277V	
GST-48-U1	300W	120V	
GST-48-U3		277V	
GST-72-U1	400W	120V	
GST-72-U3		277V	

