

120/277V 8" CCT SELECTABLE LED SURFACE MOUNT SPACE LIGHT WITH INTEGRAL PIR SENSOR

Slim Design .70"


**CCT
SELECTABLE**

**INTEGRAL
PIR SENSOR**

SURFACE MOUNT


APPLICATIONS

- Closets
- Workrooms
- Basements
- Storage areas
- Laundry rooms
- Utility rooms
- Attics
- Garages

Designed for indoor use only.

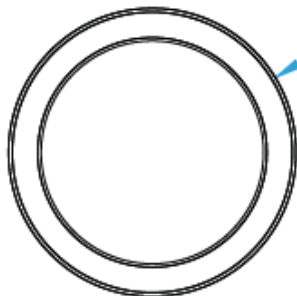


PRODUCT SPECIFICATIONS

WATTAGE	18W
COLOR TEMP	30/40/50K selectable
EFFICACY	3000K - 103 lm/W; 4000K - 113 lm/W 5000K - 106 lm/W
LUMENS	3000K - 1,968; 4000K - 1,800; 5000K - 1,896
INPUT VOLTAGE	120/277VAC
CRI	>80
BEAM ANGLE	110 degrees
DIMENSIONS	8.66" diameter; .70" thickness
LED LIFESPAN (L70)	30,000 hours
WARRANTY	5 year
RATED	IP20, damp location
LISTED	ETL
OPTIONAL TRIM COLOR	White Standard Included Black, Silver, Bronze
PART NUMBER	ZL-SLPIR-18W-CSK-120-277V



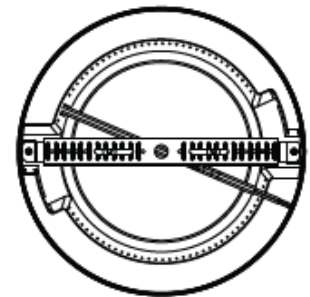
DIMENSIONS


Front View

Diameter: 8.66"


Side View

Thickness: .70"


Back View


120/277V 8" CCT SELECTABLE LED SURFACE MOUNT SPACE LIGHT WITH INTEGRAL PIR SENSOR

Optional Trim Colors

White - Standard (Included)

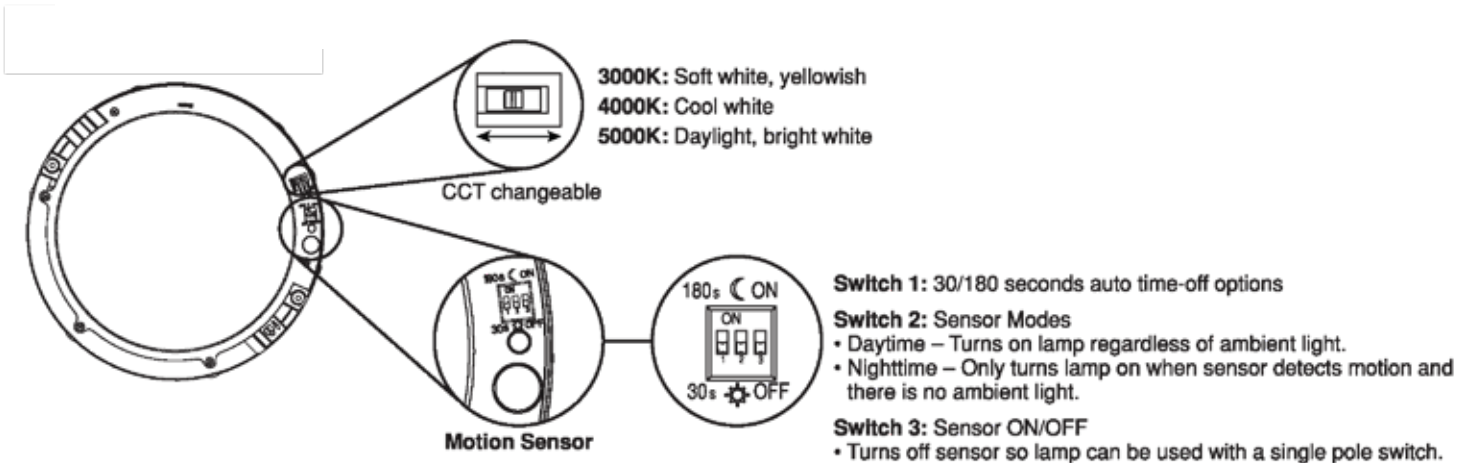


ZL-SLPRI-RINGONLY-BL
Black

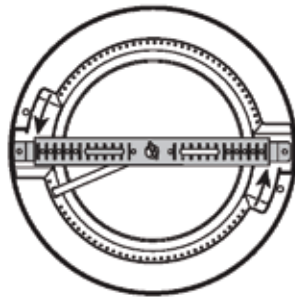
ZL-SLPRI-RINGONLY-SL
Silver

ZL-SLPRI-RINGONLY-BZ
Bronze

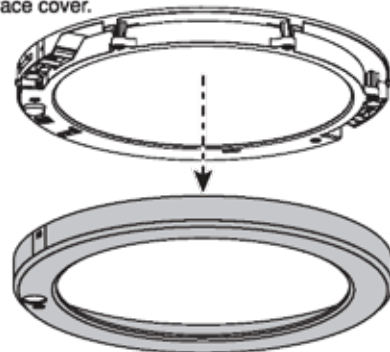
COLOR SETTING



1. Rotate bracket counter clockwise.



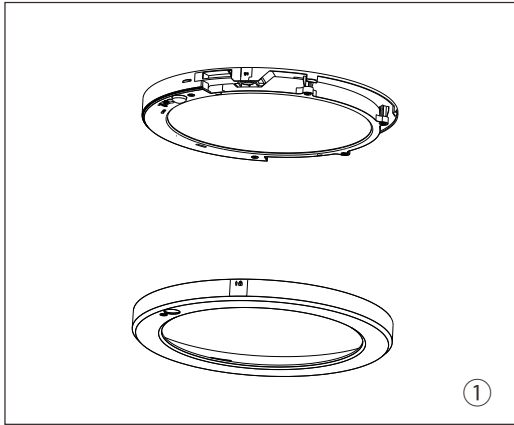
2. Remove surface cover.



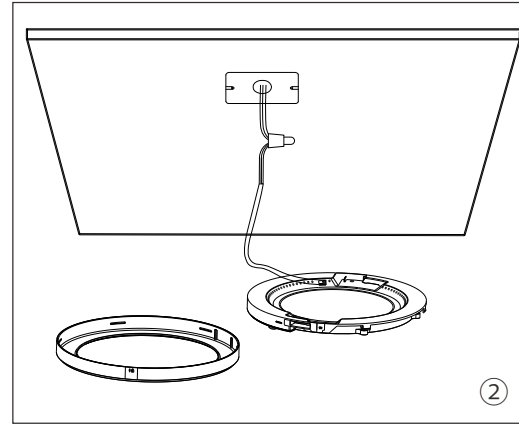
120/277V 8" CCT SELECTABLE LED SURFACE MOUNT SPACE LIGHT WITH INTEGRAL PIR SENSOR

INSTALLATION

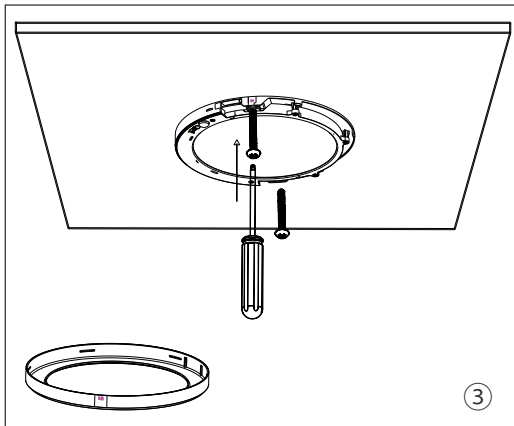
Flush-mount



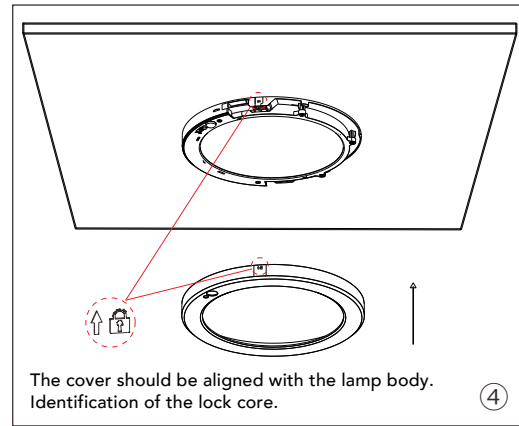
1. Take off the surface cover.



2. Connect the power cable with terminal.



3. Use screws to install the light onto the ceiling through the light housing holes.



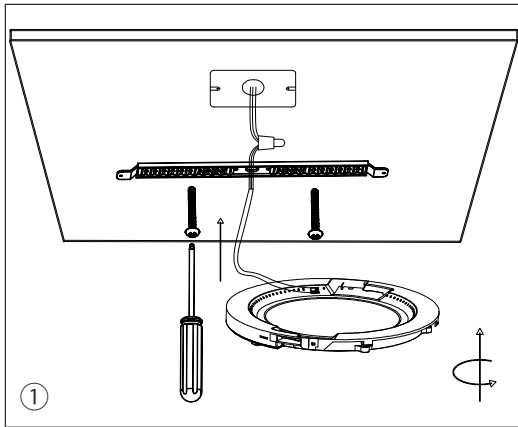
4. Install surface cover to the light body.
Ensure lock marks are matched.



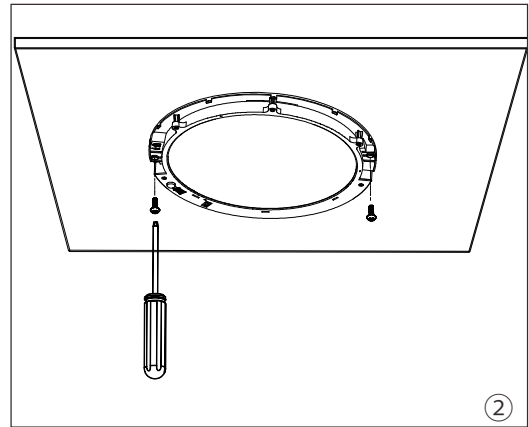
120/277V 8" CCT SELECTABLE LED SURFACE MOUNT SPACE LIGHT WITH INTEGRAL PIR SENSOR

INSTALLATION

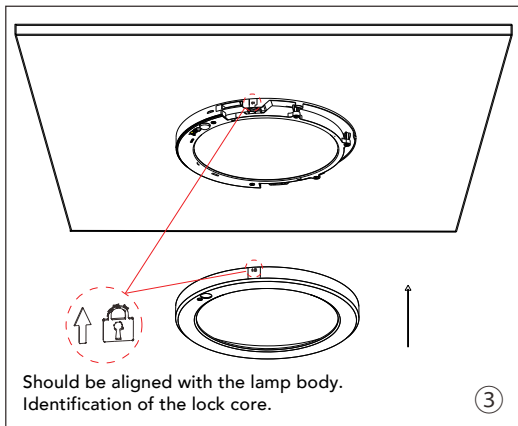
Flush-mount - Mounting Bracket



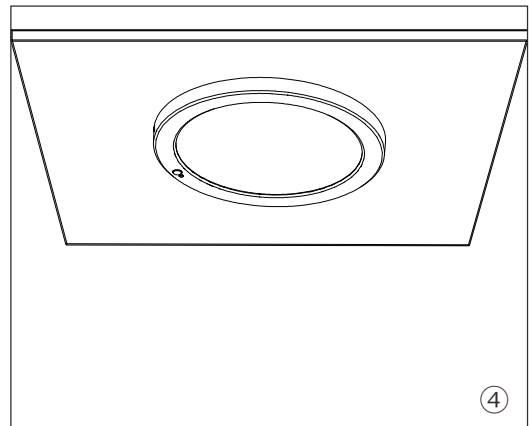
1. Connect the power cable with the terminal. Fix bracket onto ceiling with screws.



2. Fix the lamp with two screws.

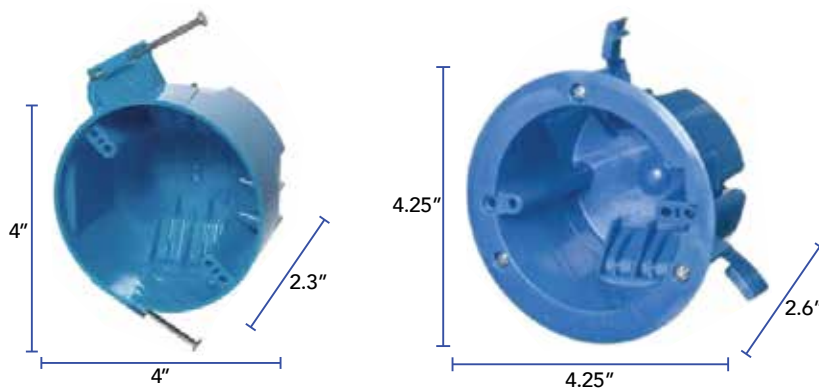


3. Install the surface cover to the light body. Ensure the lock marks are matched.



4. The installation is complete.

NEW OR OLD WORK BOXES (PLASTIC)



METAL JUNCTION BOXES (NEW WORK)



120/277V 8" CCT SELECTABLE LED SURFACE MOUNT SPACE LIGHT WITH INTEGRAL PIR SENSOR

MOTION SENSOR CONTROLS

Switch 3 - Motion Sensor ON/OFF Control Only – Only Determines if the motion sensor is ON or OFF



Down for ON



Up for OFF

Switch 2 - Motion Sensor Day/Night Switch – Controls the Day and Night Setting



Down for sensor on all the time, day and night



Up for sensor only on at night

Switch 1 - Motion Sensor Duration Switch – Controls the Duration of time the light stays on after activation



Down for 30 seconds



Up for 180 seconds

