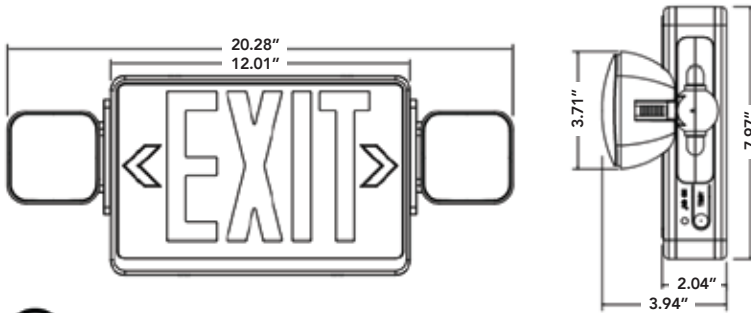


LED GREEN/RED EMERGENCY EXIT SIGN

Switchable between **Red** and **Green**



Power up to 2 remote heads



APPLICATIONS

- Supermarkets
- Offices
- Shopping malls
- Hotels
- Hospitals
- Schools
- Commercial and industrial applications

PRODUCT SPECIFICATIONS

WATTAGES	4.6W
COLOR TEMPS	5000K
LUMENS	245
INPUT VOLTAGE	120-277VAC Dual Voltage
CRI	80+
OPERATING TEMP	32° to 104°F
FINISH	White with a high-impact resistant and flame retardant thermoplastic
MOUNTING	Universal J-box mounting
DIMENSIONS (LxWxH)	12.01" x 2.44" x 7.97"
REMOTE CAPABLE APPLICATION	Max 2.4W, Input 3.6V-9.6V
RATED	Damp Locations
LISTED	UL
WARRANTY	5 year

PART NUMBER

ZL-EXT-SQ-GR/RED-XH

Note: Power up to remote heads.
Exit Sign - Optional Red or Green

OPTIONS

Single Head

ZL-EXT-EGEMG-1H-K



- Wattage: 1.2W
- Color Temp: 6500K
- Lumens: 100
- Input Voltage: Low Voltage- 3.6V

Dual Head

ZL-EXT-EGEMG-2H-K



- Wattage: 2.4W
- Color Temp: 6500K
- Lumens: 100
- Input Voltage: Low Voltage- 3.6V