

4", 6" AND 8" LED DOWNLIGHTS WHITE BAFFLE WATTAGE AND CCT SELECTABLE - FX SERIES



PRODUCT SPECIFICATIONS

WATTAGES	4"- 9/13/18W selectable* 6"- 13/19/27W selectable 8"- 18/27/36W selectable
COLOR TEMP	27/30/35/40/50K selectable
INPUT VOLTAGE	120/277V
EFFICACY	110 lm/W
LUMENS	9W- 1,000; 13W- 1,500; 18W- 2,000; 19W- 2,090; 27W- 2,970; 36W- 3,960;
CRI	80-90
DIMENSIONS	4"- 5.91" x 4.02" 6"- 8.27" x 4.41" 8"- 10.24" x 4.76"
BEAM ANGLE	120 degrees
DIMMABLE	0-10V
LED LIFESPAN (L70)	50,000 hours
EM CAPABLE	Yes
HOUSING	White Baffle
TRIM	White
RATED	Damp Location
LISTED	ETL
WARRANTY	5 year



APPLICATIONS

- Commercial
- Office
- Education

PART NUMBER

ZL-DL-4INCH-PA-CCT-WH-FX-D*

ZL-DL-6INCH-PA-CCT-WH-FX-D

ZL-DL-8INCH-PA-CCT-WH-FX-D

* Special Order

Selectable CCT

- 2700K
- 3000K
- 3500K
- 4000K
- 5000K

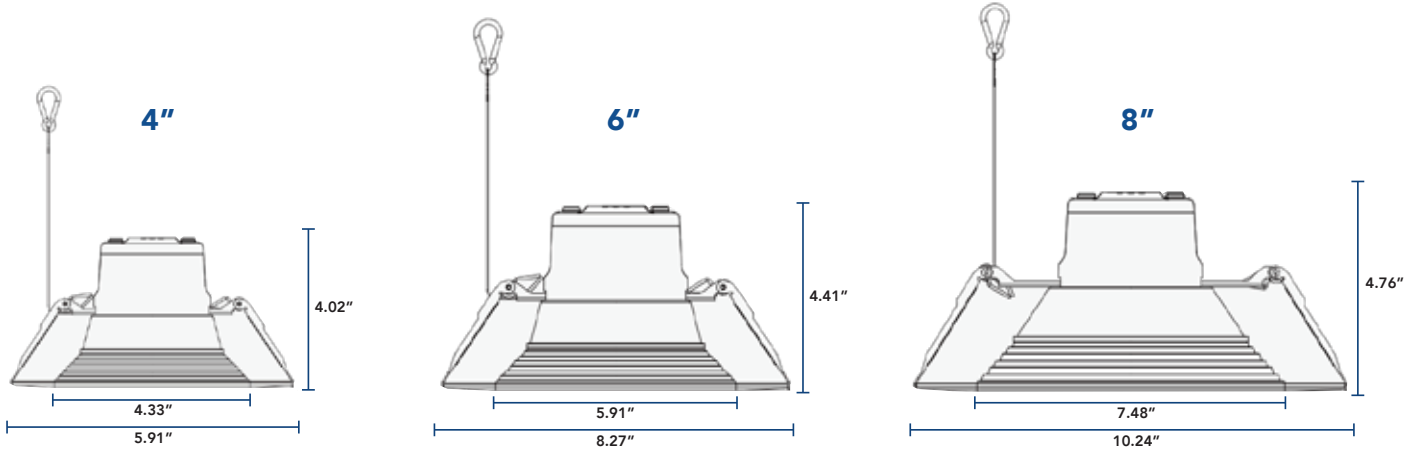


Selectable Wattage

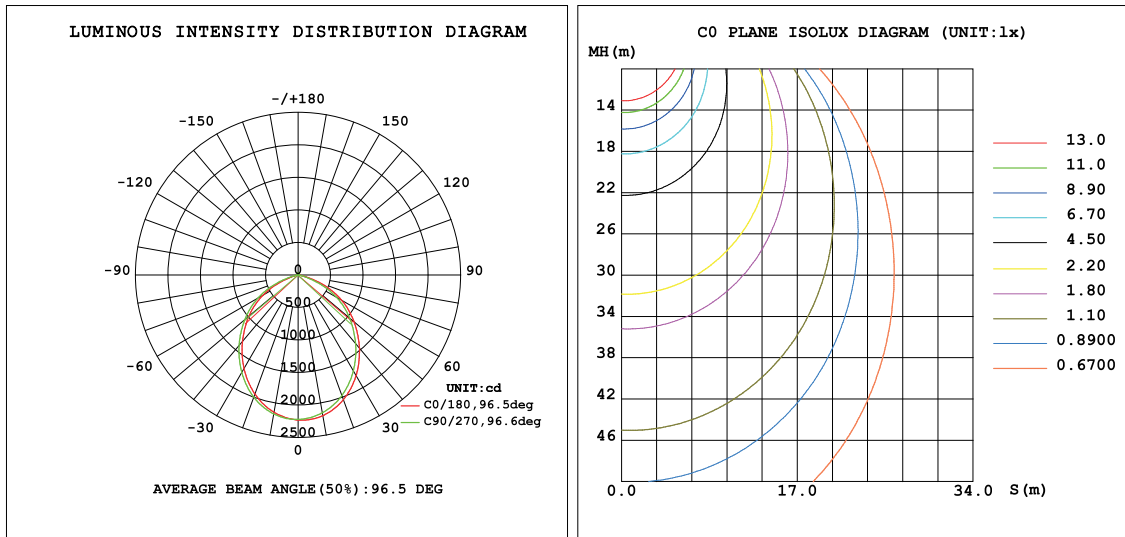
4":	6":	8":
9W	13W	18W
13W	19W	27W
18W	27W	36W

4", 6" AND 8" LED DOWNLIGHTS WHITE BAFFLE WATTAGE AND CCT SELECTABLE - FX SERIES

DIMENSIONS

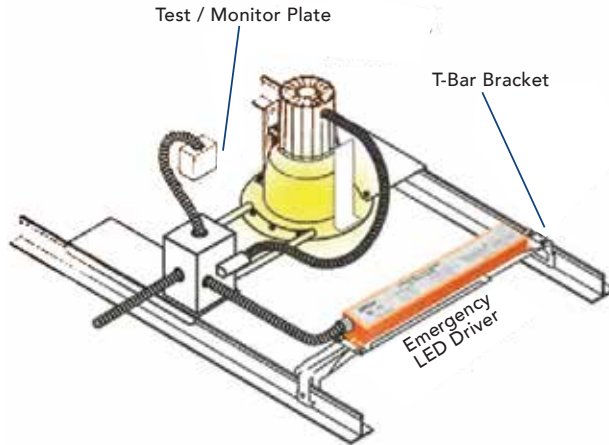


PHOTOMETRICS



4", 6" AND 8" LED DOWNLIGHTS WHITE BAFFLE WATTAGE AND CCT SELECTABLE - FX SERIES

WIRING DIAGRAM



EM DRIVER PART #

BL-EMRG-FXT-8D-A

Dimming Input	Sensor Input	AC Input	LED Driver
Dim+ 	Red DC12V+ 	Blue Wall switch 	Purple Driver-L
Dim- 	Black DC12V- 	Black AC-L 	Brown Driver-N
	White Sensor+ 	White AC-N 	Green DIM+
		Yellow Green 	Yellow DIM-

