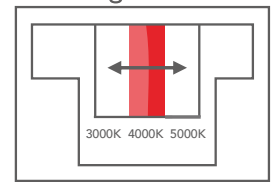


# LED SPACE LIGHT INSTALLATION MANUAL



Pre-set Button  
to change color

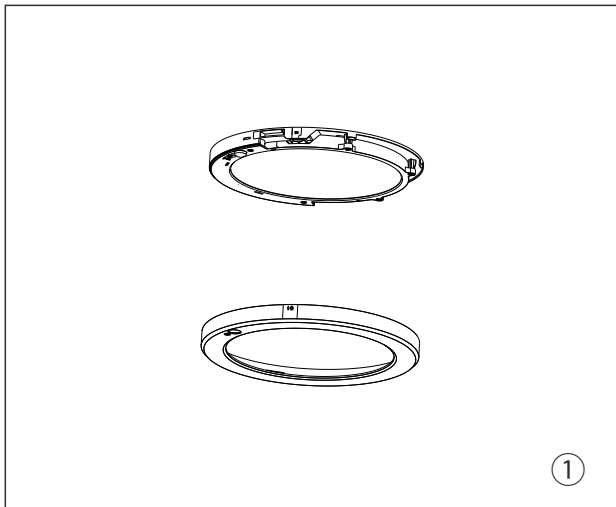


CCT CHANGEABLE

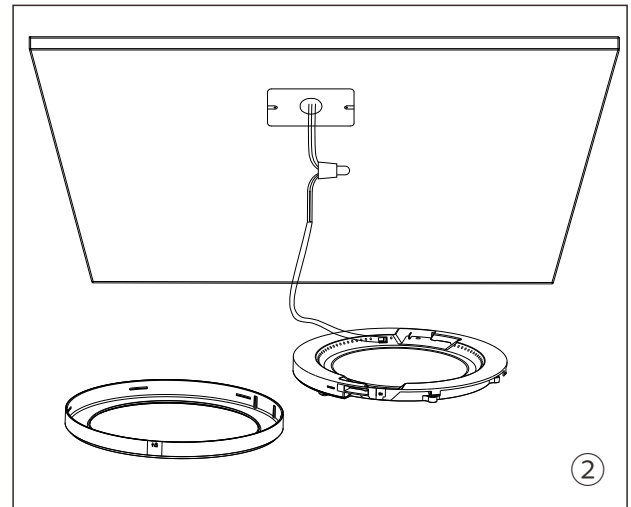


# LED SPACE LIGHT INSTALLATION MANUAL

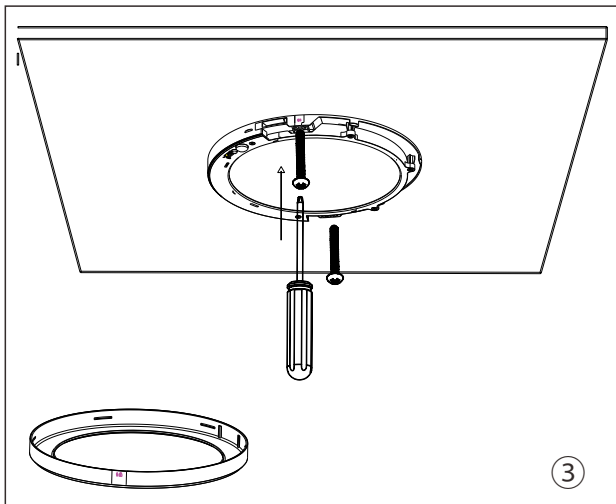
## Flush-mount



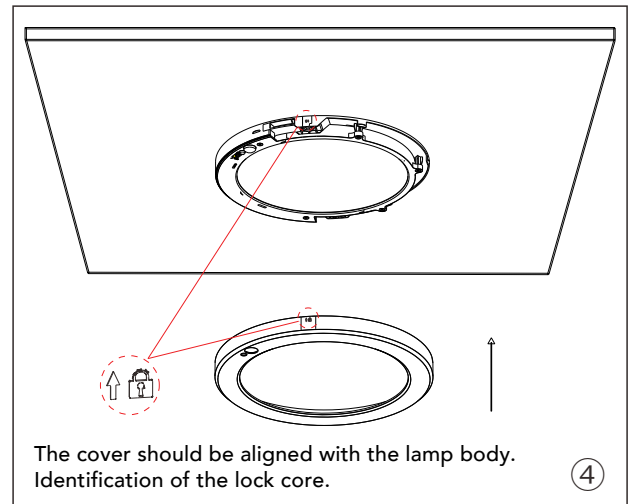
1. Take off the surface cover.



2. Connect the power cable with terminal.



3. Use screws to install the light onto the ceiling through the light housing holes.



The cover should be aligned with the lamp body.  
Identification of the lock core.

4. Install surface cover to the light body.  
Ensure lock marks are matched.

### Cautionary Markings

- 100-277 Volts, 10, 15, 18 Watts, 50-60 Hertz.
- Suitable for damp locations.
- Min 90 degrees C supply conductors.
- Suitable for operation in ambient not exceeding 40 degrees C.
- Caution – Risk of fire.
- This product must be installed in accordance with the applicable installation code by a person familiar with the construction and operation of the product and the hazards involved.
- Consult a qualified electrician to ensure correct branch circuit conductor.

### Installation, Operating and Safety Instructions

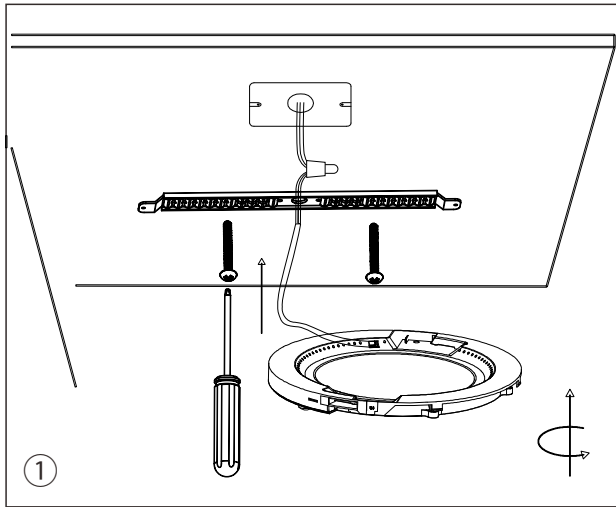
- Instructions for installation and use of this product are provided by the manufacturer. The instruction shall include the below information:

- Proper wiring connection method, proper installation method.

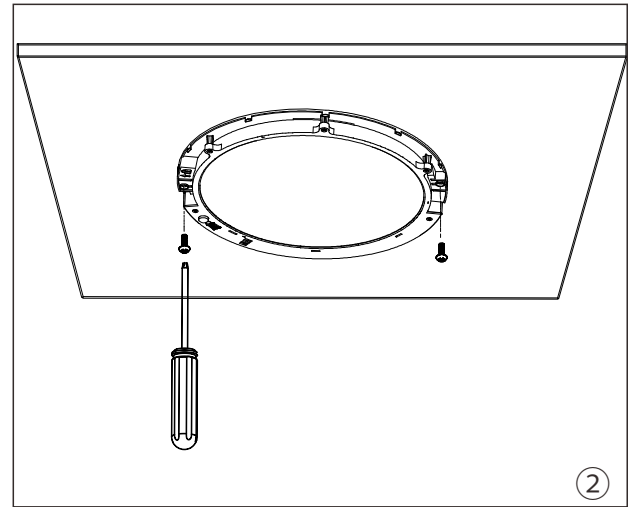
# LED SPACE LIGHT INSTALLATION MANUAL

## Flush-mount - Mounting Bracket

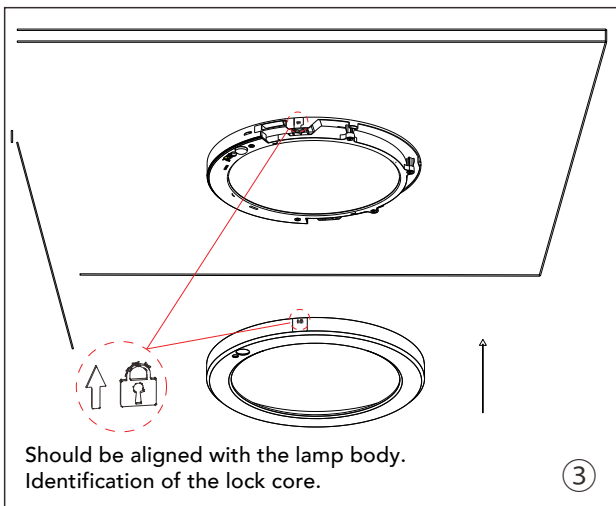
Mounting method of bracket surface mounting



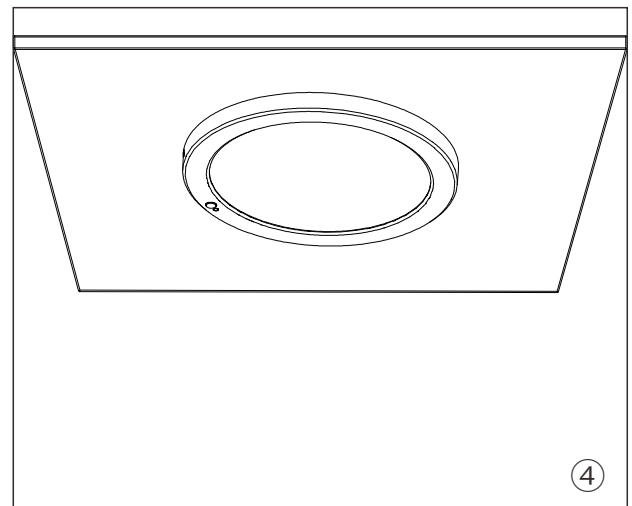
1. Connect the power cable with the terminal. Fix bracket onto ceiling with screws.



2. Fix the lamp with two screws.



3. Install the surface cover to the light body. Ensure the lock marks are matched.

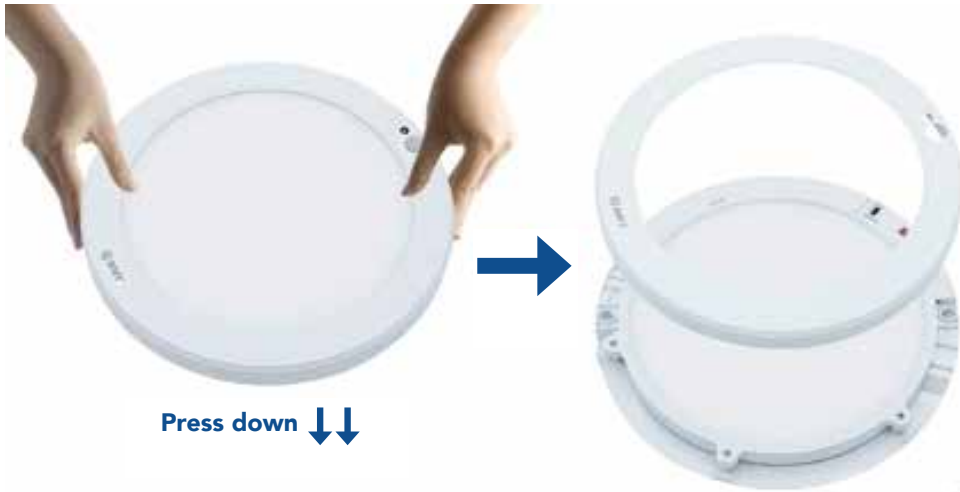


4. The installation is complete.

### Installation Notes:

- Installation should be completed by a licensed electrician. (120-277Volt Only)
- Make sure the integrity of the panel light is secure when opening the package.
- There is at least 1 inch distance between the lamp and the inflammable materials.
- The wires should be held by the clips for optimum security.
- Make sure the power wire has enough length to avoid any pull of the line.
- Link the drive to the electric supply. Typically, the brown line is the firing line and the blue line is the null line.

# LED SPACE LIGHT INSTALLATION MANUAL



Press down ↓↓

## Step 1:

Remove trim ring and discard plastic film. Press down to separate trim ring from fixture.

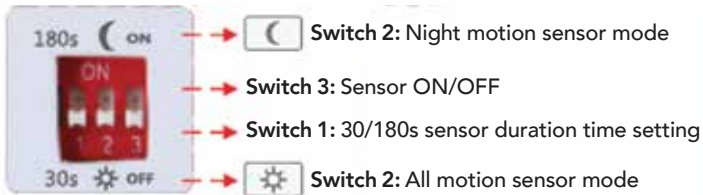
## Step 2:

Time out (30s/180s)

☀ Daylight mode

🌙 Night mode

Note: The DAYLIGHT sensor mode will not light up during the day



## Step 3:

Reinstall Trim Ring to fixture.



Warm white 3000K  
Daylight white 4000K  
Cool white 5000K