

## IP68 LED SIGN MODULE

### PRODUCT SPECIFICATIONS



#### APPLICATIONS

- Sign boxes
- Channel letters
- Store windows
- Custom decorations

WATTAGE	1.2W
COLOR TEMP	65K
EFFICACY PER MODULE	100 lm per module
LUMENS	7,200
INPUT VOLTAGE	12V
BEAM ANGLE	160°
CRI	≥80
MOUNTING	Adhesive Tape
OPERATING TEMP	-4° to 104°F
LED LIFESPAN (L70)	50,000 hours
MODULE PER STRING	50
DIMENSIONS (WxLxH)	.59" x 2.83" x .43"
TOTAL LENGTH	26'
RATED	IP68
LISTED	UL
WARRANTY	3 year

Pair with a minimum 60W power supply. Sold separately.

PART NUMBER	ZL-SM-R-IP68-65K
-------------	------------------

## POWER SUPPLIES

PRODUCT #	WATTAGES	DIMENSIONS (WxLxH)
30W-PS-12V-120-277V-IP67	30W	5.35" x 1.78" x 1.06"
60W-PS-12V-120-277V-IP67	60W	5.65" x 1.85" x 1.33"
100W-PS-12V-120-277V-IP67	100W	8.26" x 2.81" x 1.79"
150W-PS-12V-120-277V-IP67	150W	10.07" x 2.65" x 1.76"
200W-PS-12V-120-277V-IP67	200W	9.64" x 3.74" x 1.96"

- Input Voltage: 85-265VAC
- Output Voltage: 12VDC



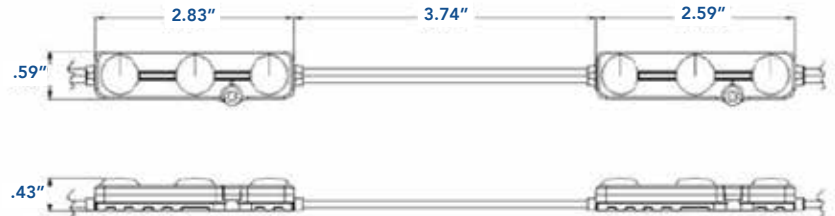
NOTE: Install power supply away from the LED modules to ensure ample heat dissipation. Some power supplies have 2 lead cables on the low voltage output side. Combine the positive wires from both cables as well as the negatives to supply the full wattage.

## IP68 LED SIGN MODULE

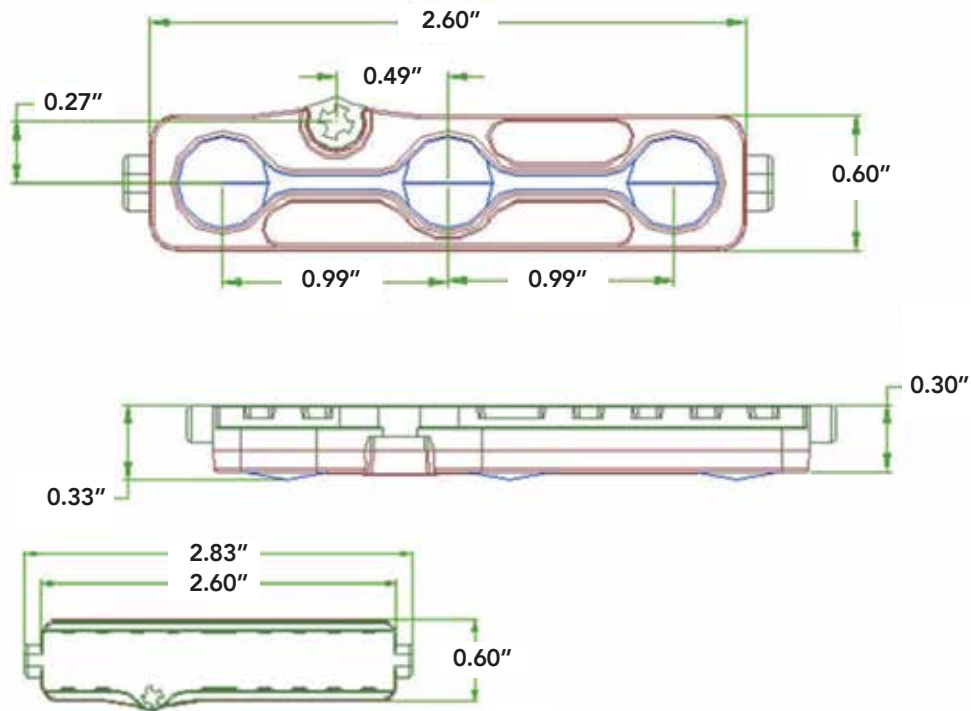
### INSTALLATION

Shut off incoming power. Hardwire power supplies should be installed by a qualified electrician.

Size power supply a minimum of 10% higher than the load.



### DIMENSIONS



### CONNECTION

