

## LINEAR HIGH BAY - WATTAGE SELECTABLE



### PRODUCT SPECIFICATIONS

<b>WATTAGES</b>	90, 110, 200W selectable
<b>COLOR TEMPS</b>	50K
<b>EFFICACY</b>	160 lm/W
<b>LUMENS</b>	90W- 14,400; 110W- 17,600; 200- 32,000
<b>INPUT VOLTAGE</b>	120/277V
<b>CRI</b>	>80
<b>BEAM ANGLE</b>	100°
<b>DIMMABLE</b>	0-10V
<b>LED LIFESPAN (L70)</b>	50,000 hours
<b>SENSOR READY</b>	Yes
<b>DIMENSIONS</b>	1x2- 16.54" x 14.17" x 1.97"
<b>RATED</b>	IP20
<b>LISTED</b>	UL
<b>WARRANTY</b>	5 year



### APPLICATIONS

- Supermarkets
- Cafeterias
- Gymnasiums
- Recreation centers
- Large loft spaces
- Educational facilities
- Convention centers
- Airports/aircraft hangars
- Parking garages
- High-ceiling offices

### PART NUMBER

ZL-HB-1X2-120-110-90-50K-120/277V

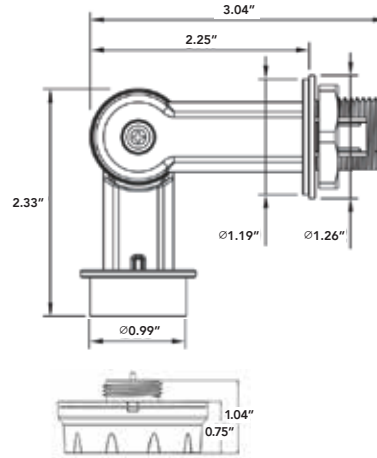


# LINEAR HIGH BAY - WATTAGE SELECTABLE

## OPTIONS



Part Number with 90° Angle:  
ZL-MV-SENSOR-HB-ARM-HD07R



Part Number Remote Control:  
ZL-REMOTE-HD05R  
(Sold Separately)



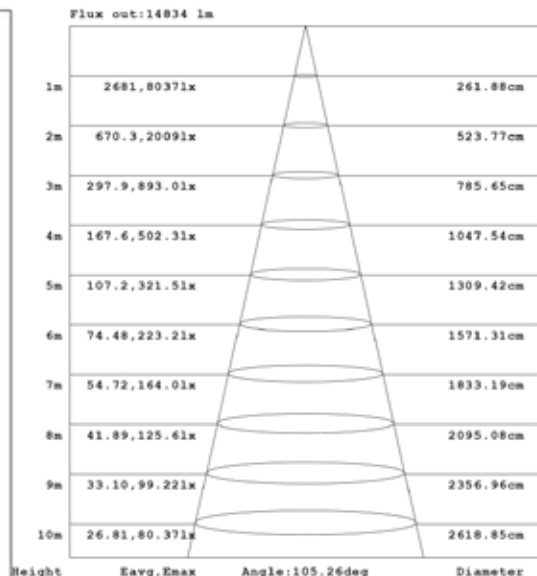
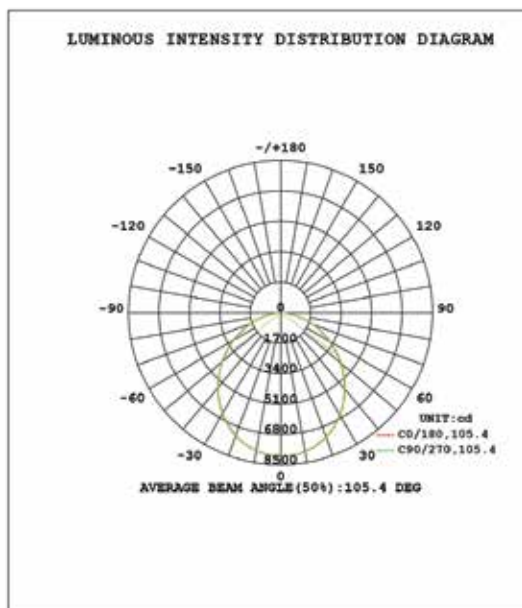
## SPECIFICATIONS

Power Supply	10-15VDC, <30mA
Dim Control Output	DIM 0-10V
Mounting Height	12m/39ft Max.
Detection Distance	≥3m/9ft
Operating Temperature	-40°C-60°C
IP Rating	IP65

## WARNING

1. The sensor should be installed by qualified electrician and ensure power is OFF before installation.
2. Please read the instruction carefully before using the product and keep it well for other users to read any time.
3. We reserve the right to modify any incorrect text, image and technical parameters.
4. Any unauthorized modification is forbidden. Otherwise all guarantees will be immediately invalid.
5. Product could be optimized without prior notice.

## PHOTOMETRICS



Note: The Curves indicate the illuminated area and the average illumination when the luminaire is at different distance.