

IP64 LED POST TOP CORN LAMPS

Sends light to the ground



Replacement



HPS/HID/MH/CFL
Lamp

Existing ballast must be
bypassed direct wire
straight VAC 120/277V to
the existing socket



RETROFIT EXISTING FIXTURES



APPLICATIONS

- Post tops
- Acorn fixtures

PRODUCT SPECIFICATIONS

WATTAGES	30W, 40W, 50W, 60W, 75W
COLOR TEMPS	Stock: 40K Special Order: 30K, 35K, 50K
EFFICACY	140-150 lm/W
LUMENS	30W- 4,350; 40W- 5,800; 50W- 7,250; 60W- 8,700; 75W- 10,500
INPUT VOLTAGE	120/277V
CRI	>80Ra
BASE TYPE	E26, EX39
OPERATING TEMP	-40° - 104°F
LED LIFESPAN	50,000 hours
DIMENSIONS	E26- 6.54" x 5.56"; EX39- 7.01" x 5.56"
SUGGESTED HID EQUIV.	30W- 75-150W; 40W- 175W; 50W- 175-250W; 60W- 250W; 75W- 250-400W
RATED	IP64
LISTED	UL
WARRANTY	5 year

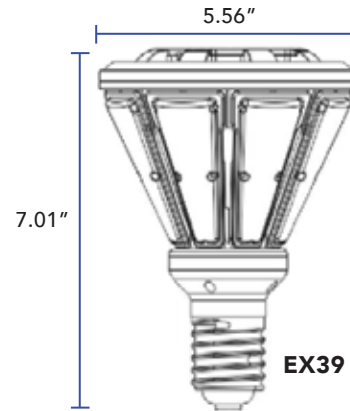
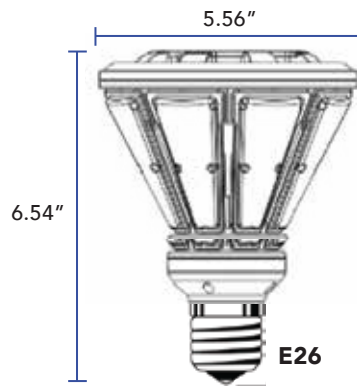
PRODUCT BUILDER

ex: C-PST-E26-30-40K-IP64-NS

TYPE	BASE	WATTAGE	COLOR TEMP	IP RATING	
C-PST				IP64	NS
	E26=Medium EX39=Mogul	30=30W 40=40W 50=50W 60=60W 75=75W	Stock: 40K=4000K Special Order: 30K=3000K 35K=3500K 50K=5000K		

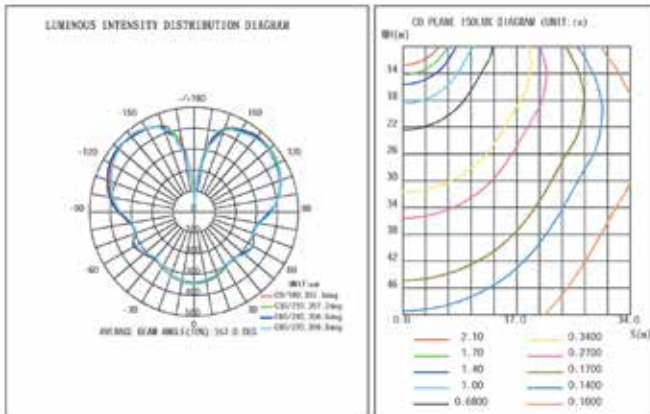
IP64 LED POST TOP CORN LAMPS

DIMENSIONS

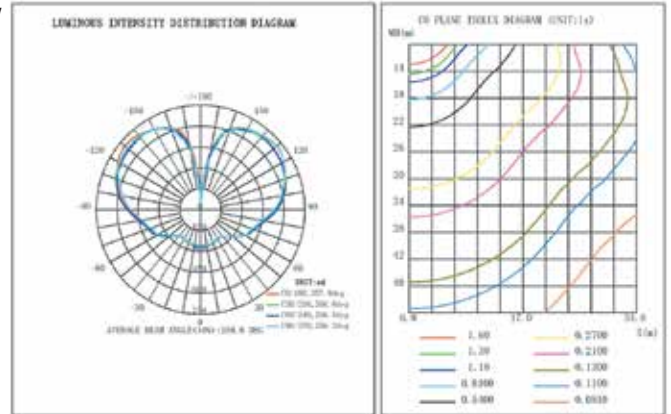


PHOTOMETRICS

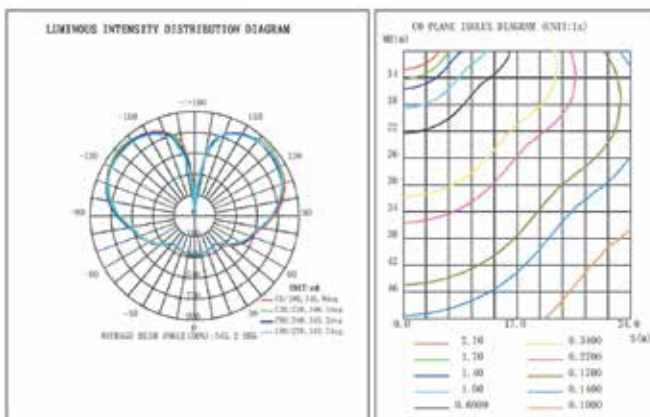
30W



40W



50W



60W

