

## WHITE LED AREA LIGHT – LS SERIES



### PRODUCT SPECIFICATIONS

WATTAGES	150W, 300W
COLOR TEMP	50K
EFFICACY	130 lm/W
LUMENS	150W- 18,000; 300W- 37,000
INPUT VOLTAGE	120/277V
CRI	>80
DIMENSIONS	150W- 22.44" x 12.59" x 2.99" 300W- 29.92" x 12.59" x 2.99"
HOUSING	White
MOUNTING OPTIONS	Slip Fitter/Tenon Mount or Horizontal/Square Pole
RATED	IP65
LISTED	UL
WARRANTY	5 year



### APPLICATIONS

- Parking structures
- Urban roads
- Industrial areas
- Sidewalks
- Schools
- Gardens
- Residential areas

### PART NUMBERS

ZL-VE-SB-150-50K-DM-WH

ZL-VE-SB-300-50K-DM-WH

### PRODUCT BUILDER

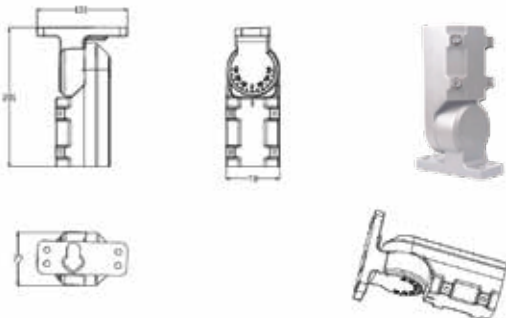
ex: ZL-VE-SB-150-50K-DM-WH

TYPE	WATTAGE	COLOR TEMP	MOUNTING	COLOR
ZL-VE-SB		50K		WH
	150=150W 300=300W	50K=5000K	A=Slip Fitter/ Tenon Mount B=Horizontal/ Square Pole	WH=White

### MOUNTING OPTIONS

#### SLIP FITTER/TENON MOUNT – ZL8-A-WH

Optional Part Number A



#### HORIZONTAL/SQUARE POLE – ZL8-B-WH

Optional Part Number B

