

AREA LIGHT



APPLICATIONS

- Outdoor basketball courts
- Tennis courts

PRODUCT SPECIFICATIONS

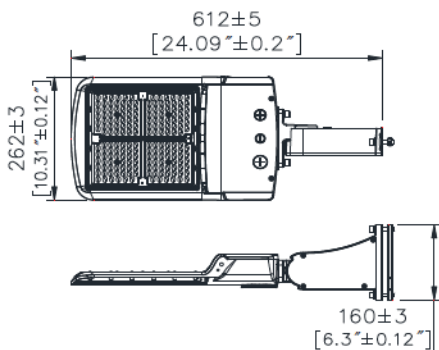
| | |
|------------------------------------|--|
| WATTAGES | 150/200/240W/300W selectable |
| COLOR TEMPS | 30/40/50K selectable |
| EFFICACY | 150 lm/W |
| LUMENS | 150W- 22,500; 200W- 30,000; 240W- 36,000; 300W- 45,000 |
| INPUT VOLTAGE | AC120-277V |
| CRI | >80 |
| DIMMABLE | 0-10V |
| LENS | Type 3 |
| COLOR | Bronze |
| MOUNTING OPTIONS (SOLD SEPARATELY) | Direct Mount, Yoke Mount, Slip Fitter |
| PHOTOCELL/SHORTING CAP | Optional Sold Separately |
| RATED | IP65 |
| LISTED | ETL |
| WARRANTY | 5 year |

PART NUMBER

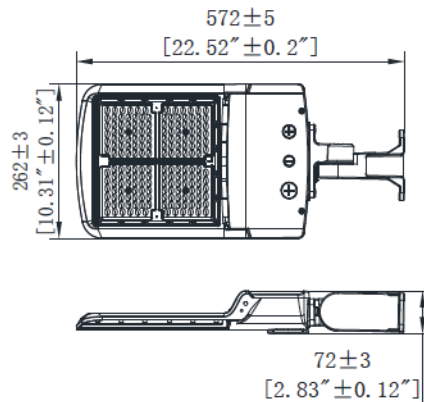
ZL-AREA-150-200-240-300W-PC-SOCKET-BR-DM

DIMENSIONS

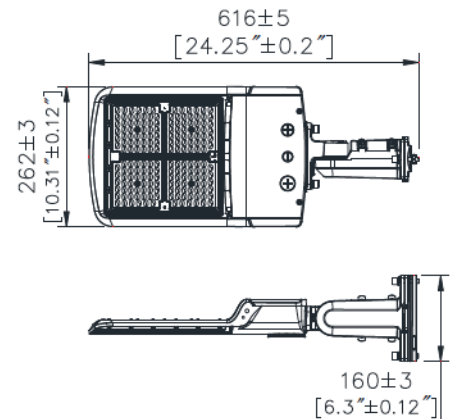
DIRECT MOUNT



YOKE MOUNT



SLIP FITTER



AREA LIGHT

MOUNTING OPTIONS – SOLD SEPARATELY



DIRECT MOUNT

ZL-BRACKET-TYPE-B-DM



YOKE MOUNT

ZL-BRACKET-TYPE-C-DM



SLIP FILTER

ZL-BRACKET-TYPE-A-DM

OPTIONAL ACCESSORIES



ZL-Photocell



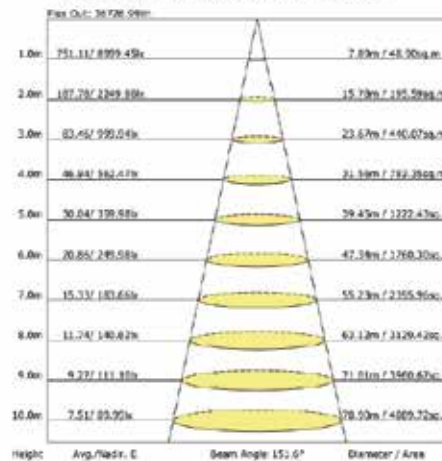
ZL8-Shorting Cap

PHOTOMETRICS

DM-SB150/200/240/300W-3450K

| | |
|---------------------|--------------|
| Minimum Watt | 150 W |
| Maximum Watt | 300 W |
| PF | 0.9 |
| CRI | 80 |
| THD | 15% |
| Flux | 36726lm |
| Efficacy (AC) | 122 lm/W |
| Minimum CCT | 3000K |
| Maximum CCT | 5000K |
| Voltage Range | 120-277 V |
| Working temperature | -4° F~113° F |
| Storage temperature | -40°C~80°C |

The Average Illuminance Effective Figure



Luminous Intensity Distribution Curve

