

LED POST TOP AREA LIGHT – WATTAGE + CCT SELECTABLE



Photocell
Included



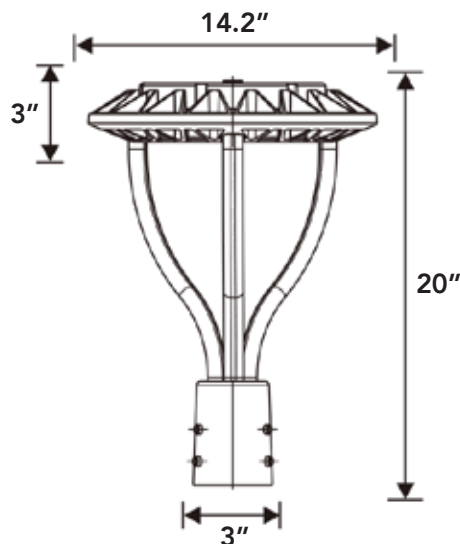
APPLICATIONS

- Parking lots
- Shopping malls
- Sports complexes
- Path lighting
- Garden lighting

PRODUCT SPECIFICATIONS

WATTAGES	60W (60/40/30/20W selectable)
COLOR TEMP	30/40/50K selectable
INPUT VOLTAGE	120/277V
EFFICACY	135 lm/W
LUMENS	8,100
SUGGESTED HID EQUIV	120-200W
CRI	>72
AMBIENT TEMP	-10 to 45C; -4 to 113F
LED LIFESPAN (L70)	50,000 hours
MOUNTING OPTIONS	Square Pole, Round Pole
FIXTURE COLOR	Black
SENSORS	Photocell included
BEAM ANGLE	120 degrees
LISTED	ETL
RATED	IP65
WARRANTY	5 year
PART NUMBER	ZL-2PT-20-30-40-60W-3CCT-Y

DIMENSIONS



LED POST TOP AREA LIGHT – WATTAGE + CCT SELECTABLE

CCT SELECTOR AND PHOTOCELL



Photocell
Included



MOUNTING OPTIONS

4" Square Pole Mount

PART NUMBER	ZL-TA-VT4-DSW-S
--------------------	-----------------



4" Round Pole Mount

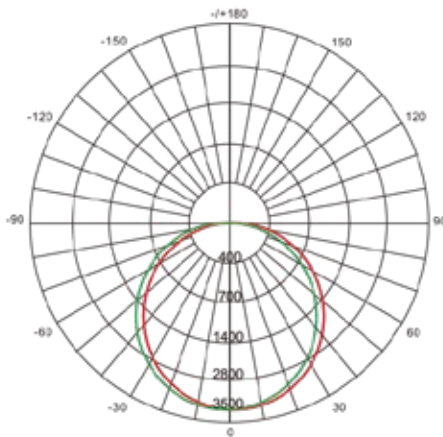
PART NUMBER	ZL-TA-VT4-DSW-R
--------------------	-----------------



LED POST TOP AREA LIGHT – WATTAGE + CCT SELECTABLE

DISTRIBUTION

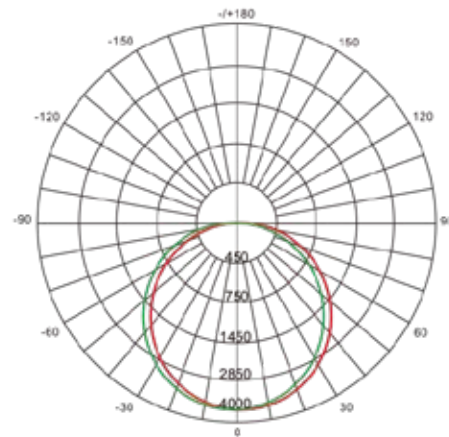
LS-2PT(60/40/30/20)W-XXK-P



AVERAGE BEAM ANGLE[50%]: 108°

UNIT:CD
 Test Number:LS-2PT(60/40/30/20)W-XXK-P — C0/180,113.7
 Lumens:5200LM — C30/210,100.1
 Test Number:40W — C60/240,108.6
 Test Number:5000K — C90/270,130.9

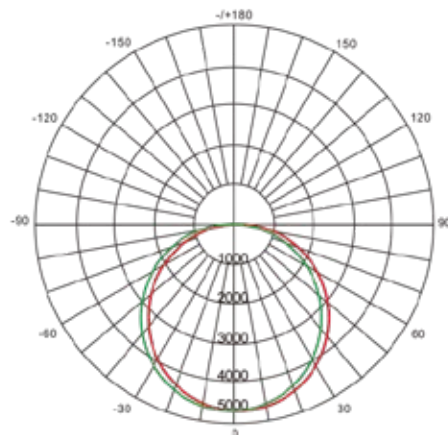
LS-2PT(60/40/30/20)W-XXK-P



AVERAGE BEAM ANGLE[50%]: 108°

UNIT:CD
 Test Number:LS-2PT(60/40/30/20)W-XXK-P — C0/180,113.7
 Lumens:7800LM — C30/210,100.1
 Test Number:60W — C60/240,108.6
 Test Number:5000K — C90/270,130.9

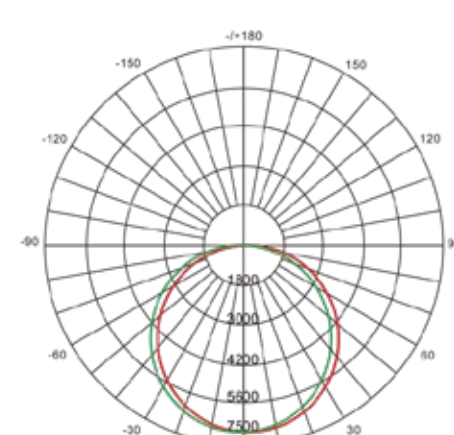
LS-2PT(150/120/100/80)W-XXK-P



AVERAGE BEAM ANGLE[50%]: 108°

UNIT:CD
 Test Number:LS-2PT(150/120/100/80)W-XXK-P — C0/180,113.7
 Lumens:13000LM — C30/210,100.1
 Test Number:100W — C60/240,108.6
 Test Number:5000K — C90/270,130.9

LS-2PT(150/120/100/80)W-XXK-P

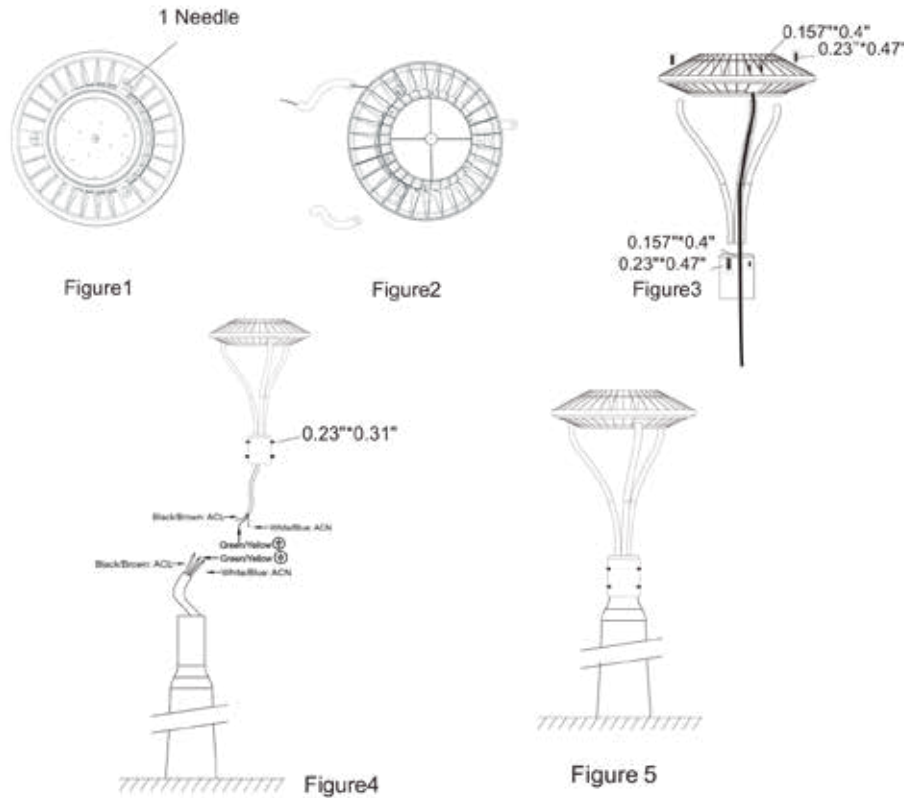


AVERAGE BEAM ANGLE[50%]: 108°

UNIT:CD
 Test Number:LS-2PT(150/120/100/80)W-XXK-P — C0/180,113.7
 Lumens:19500LM — C30/210,100.1
 Test Number:150W — C60/240,108.6
 Test Number:5000K — C90/270,130.9

LED POST TOP AREA LIGHT – WATTAGE + CCT SELECTABLE

INSTALLATION



INSTALLATION INSTRUCTIONS

Warning: Cut off electrical source in order to avoid electrical shock and endanger life-safety before installation.

Step 1: Pass the leads of the lights through the stem, then fix the step with the lamp.

Step 2: Pass the leads of the light through the tenon pole, then use screws to fix it.

Step 3: Electrical connections:

- Connect the black wire to line
- Connect the white wire to neutral
- Connect the green or green/yellow wire to ground and good waterproof processing.

Step 4: On the lamps and lanterns hung up safety rope, and then install the lamp on the mast.

- Install height from floor higher than 1.2m.

LINE	●	BLK
NEU	●	WHI
GRND	●	REN, GRN/YEL

