

## LED EMERGENCY WALL PACK FIXTURE - CCT SELECTABLE



### APPLICATIONS

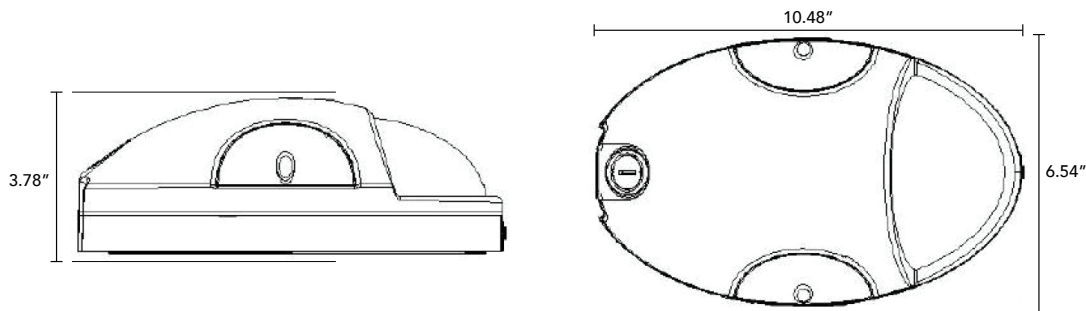
Ideal LED Lighting for both indoor and outdoor locations including decks, porches, patios, front entryways, walkways, exterior corridors, or other common areas.

### PRODUCT FEATURES

<b>WATTAGE</b>	15W
<b>COLOR TEMP</b>	35K/40K/50K selectable
<b>INPUT VOLTAGE</b>	120/277V
<b>EFFICACY</b>	120 lm/W (620 lm/W at EM Mode)
<b>LUMENS</b>	1,800
<b>CRI</b>	Ra>80
<b>OPERATING TEMP</b>	-32°F to 113°F
<b>RATED</b>	Wet Locations IP65
<b>DRIVER SURGE PROTECTION</b>	L/N-PE: 2.5kV, L-N: 2.5kV
<b>LED LIFESPAN (L70)</b>	Lumen Maintenance over 70% @ 50,000+ hours
<b>LAMP SHELL</b>	Dark Bronze
<b>DIMMING</b>	0-10V
<b>ACCESSORIES</b>	PC: Integrated dusk-to-dawn photocell
<b>WARRANTY</b>	5 year
<b>PART NUMBER</b>	ZL-HYA-MWP-15W-EM-3CCT-PC



### DIMENSIONS



### PHOTOMETRICS

