

## **⚠ WARNING**

- To reduce the risk of death, personal injury or property damage from fire, electric shock, falling parts, cuts/abrasions, and other hazards read all warnings and instructions included with and on the fixture box and all fixture labels.
- Before installing, servicing, or performing routine maintenance upon this equipment, follow these general precautions.
- Commercial installation, service and maintenance of luminaires should be performed by a qualified licensed electrician.
- For the installation: If you are unsure about the installation or maintenance of the luminaires, consult a qualified licensed electrician and check your local electrical code.
- To prevent wiring damage or abrasion, do not expose wiring to edges of sheet metal or other sharp objects.
- Do not make or alter any open holes in an enclosure of wiring or electrical components during kit installation.

## **⚠ WARNING**

- Turn off electrical power at fuse or circuit breaker box before wiring fixture to the power supply.
- Turn off the power when you perform any maintenance.
- Verify that supply voltage is correct by comparing it with the luminaire label information.
- All wiring connections should be capped with UL approved wire connectors.

## **⚠ CAUTION**

- Avoid direct eye exposure to the light source while it is on.
- Account for small parts and destroy packing material, as these may be hazardous to children.
- Risk of burn. Disconnect power and allow fixture to cool before changing bulb or handing fixture.

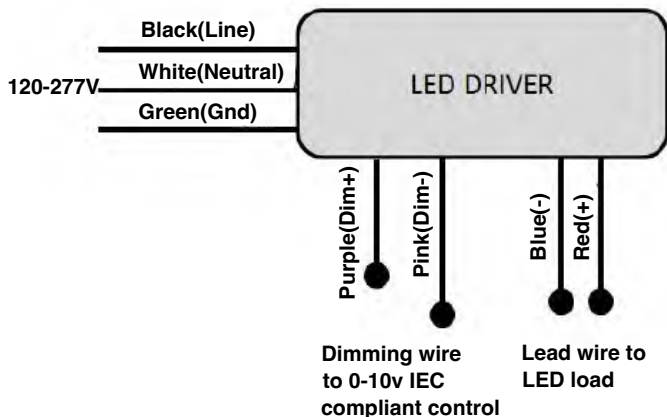
**NOTICE:** Green ground screw provided in proper location. Do not relocate.

**NOTICE:** Minimum 90° supply conductors.

**NOTICE:** Specifications and dimensions subject to change without notice.

**NOTICE:** Suitable for Dry or Damp location

## General Wiring Diagram



Before installation, ensure power supply is disconnected. Cables must be connected in accordance to instruction and proper standing rules.

## A: Surface Mounting

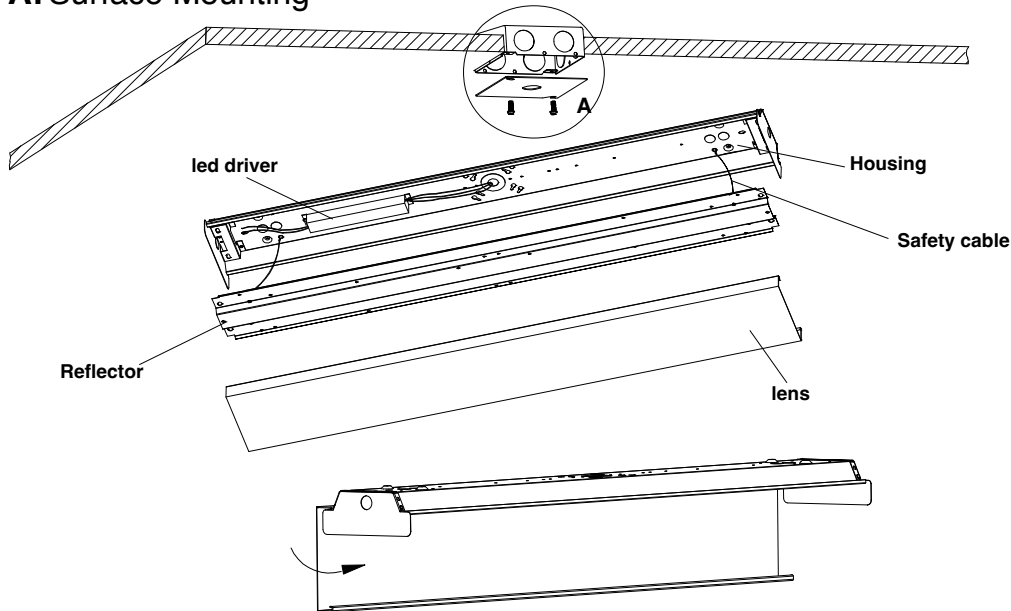


Figure 1

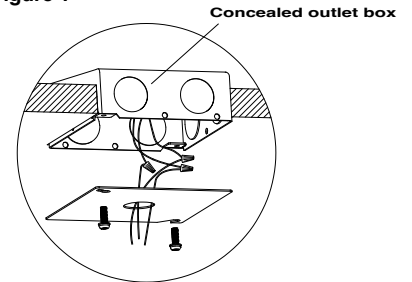
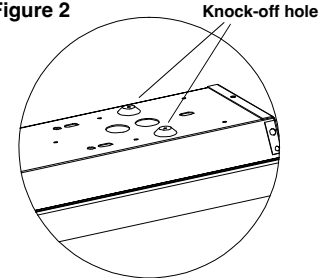
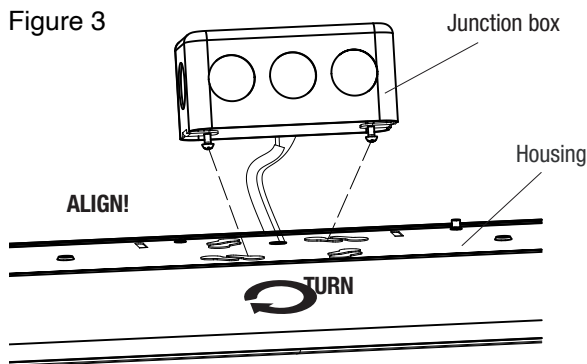


Figure 2



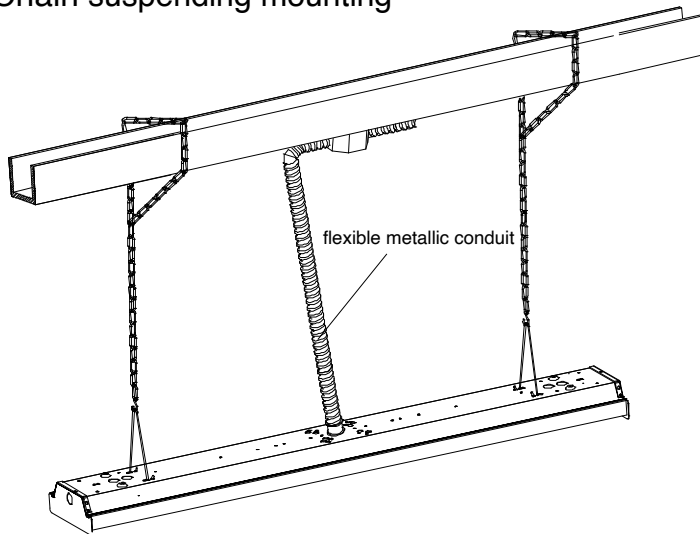
1. Remove product from packaging.
2. Carefully snap out lens one side at a time from fixture housing, then release reflector by removing clips.
3. Use appropriate UL approved wire connectors as required by code to complete wiring with main power as shown. (Figure 1)
4. Secure the fixture with screws using the existing knock-off holes on both end of the fixture housing. (Figure 2)
5. Reattach the reflector and then hook lens to one side of housing and snap lens into place.

## Mount to a recessed junction box as follows:



1. Carefully snap out lens one side at a time from fixture housing, then release reflector by removing clips.
2. Use appropriate UL approved wire connectors as required by code to complete wiring with main power.
3. Align fixture mounting slots with junction box, lock screws to secure fixture housing to junction box. (Figure 3)
4. Reattach the reflector and then hook lens to one side of housing and snap lens into place.

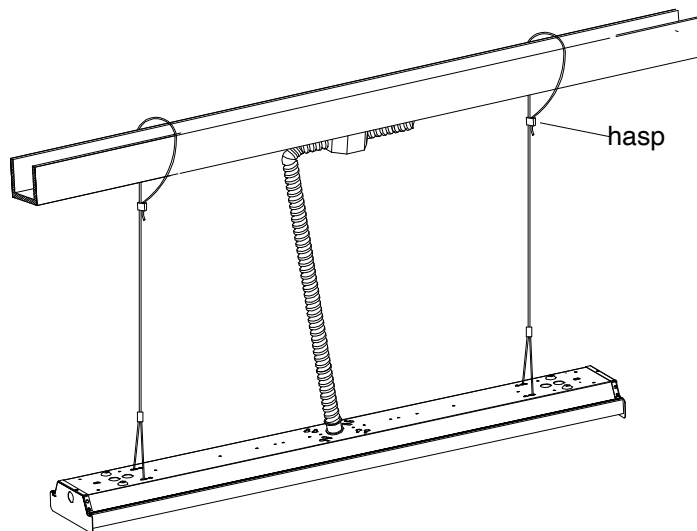
## B: Chain suspending mounting



### Installation steps:

1. Remove product from packaging.
2. Carefully snap out lens one side at a time from fixture housing, then release reflector by removing clips.
3. For mounting, attach V-hooks to the fixture housing and hang the fixture as shown.
4. Use appropriate UL approved wire connectors as required by code to complete wiring with main power as shown.
5. Reattach the reflector and then hook lens to one side of housing and snap lens into place.

## C: Cable suspending mounting



### Installation steps:

1. Remove product from packaging.
2. Carefully snap out lens one side at a time from fixture housing, then release reflector by removing clips.
3. Mount cable to the luminaire. Twine the one end of cable to the beam, then insert into the hasp, adjust the cable to desired height.
4. Use appropriate UL approved wire connectors as required by code to complete wiring with main power as shown.
5. Reattach the reflector and then hook lens to one side of housing and snap lens into place.