

60W 24V TRIAC DIMMABLE 120/277V CONSTANT VOLTAGE LED DRIVER

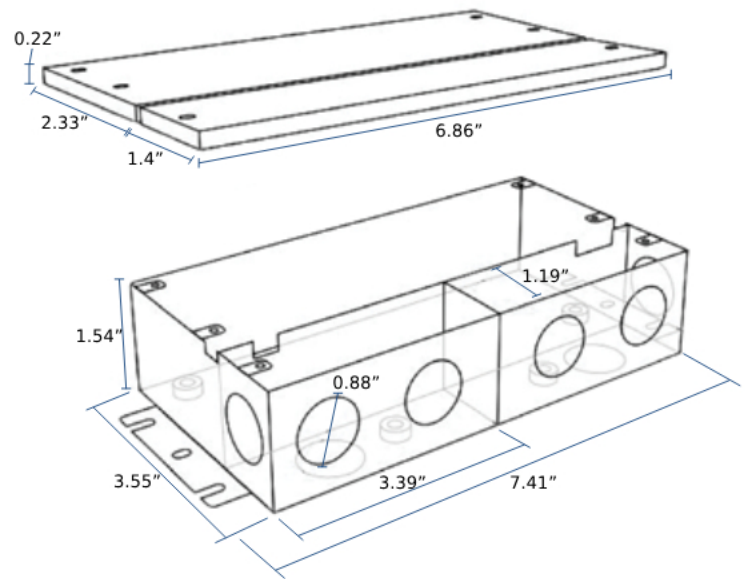
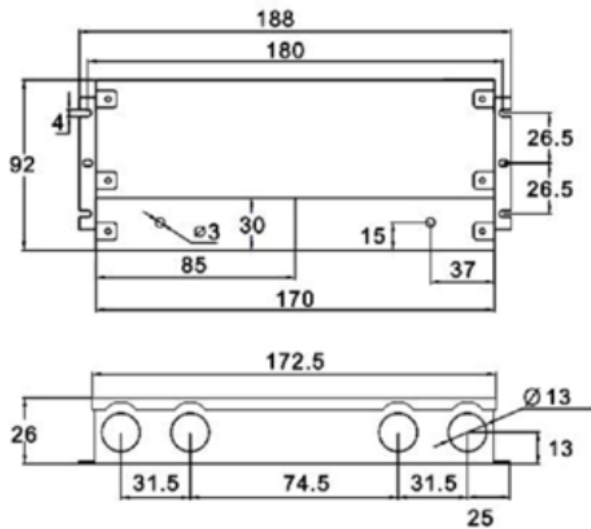


- Part Number: ZL-DRIVER-24V-60W-DIM
- Tape Light 12/24V
- RGBW Tape Light 12/24V

OUTPUT	Rated Power	60W
	DC Voltage	24V
	Rated Current	2.5A
	Voltage Tolerance	±0.5V
	Voltage Regulation	±0.5%
	Load Regulation	±1%
INPUT	Voltage Range	120/277V
	Frequency Range	47-63Hz
	Power Factor (Typ.) @ Full Load	0.98 @ 120VAC - 0.95 @ 277VAC
	THD (Typ.) @ Full Load	<20%
	Efficiency (Typ.) @ Full Load	83%
	AC Current (Max)	0.9 @ 100VAC
	Inrush Current (Typ.)	14A, 50% 780us
	Leakage Current	<0.50mA
PROTECTION	Short Circuit	Shut down o/p voltage, re-power on to recover after fault condition removed
	Over Loading	≤120% Hicup mode, recovers automatically after fault condition is removed
	Over Temperature	212°F (100°C) ±50°F (10°F) shut down o/p voltage, automatically recover after cooling
ENVIRONMENT	Working Temp	-40~+140°F (-40~60°C) *See Derating Curve
	Working Humidity	20~90%RH, non-condensing
	Storage Temp. Humidity	-40~+176°F (-40~80°C), 10~95%RH
	Temp. Coefficient	±0.03% /°C (0~50°C)
	Vibration	10~500Hz, 5G 10 min/1 cycle, period for 60 min each along X,Y,Z axes
SAFETY & EMC	Safety Standards	UL8750 + UL1310
	Withstand Voltage	I/P - O/P: 1.88KVAC
	Isolation Resistance	I/P - O/P: 100M Ω /500VDC/25°C/70%RH
	EMC Emission	FCC Part 15B

60W 24V TRIAC DIMMABLE 120/277V CONSTANT VOLTAGE LED DRIVER

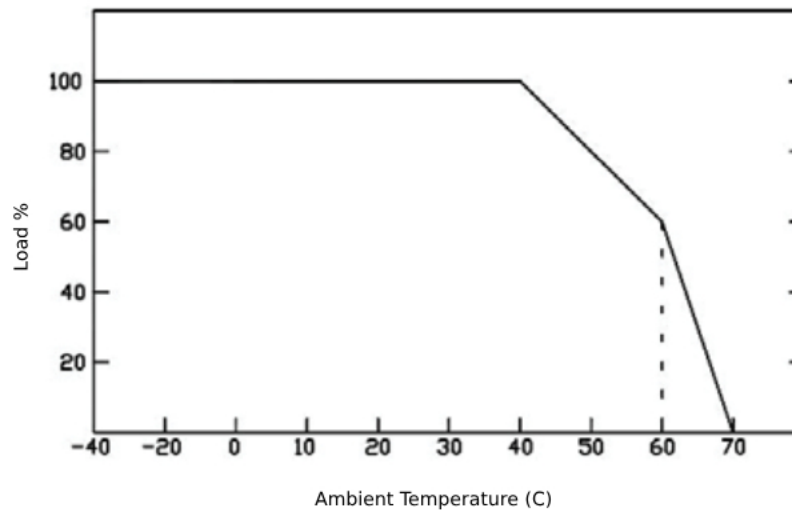
DIMENSIONS



DIMMING OPERATION

- The Pulse-Width Modulation (PWM) of output voltage can be adjusted through input terminal of the AC phase line (L) by connection
- Usually matching with forward phase, leading edge, magnetic low voltage, triac dimmers, or reverse phase, trailing edge, electric low
- Please try to use dimmers with power at least 1.5 times as the output power of the driver.

DERATING CURVE



Load carried in accordance with the load derating curve, according to the ambient temperature derating, in order to extend the running life.

60W 24V TRIAC DIMMABLE 120/277V CONSTANT VOLTAGE LED DRIVER

CONNECTING DIAGRAM

