

## 30W 24V TRIAC DIMMABLE 120/277V CONSTANT VOLTAGE LED DRIVER



30W

120/  
277V

24V

DIMMABLE

CLASS  
2

WET  
LOCATION

PWM  
OUTPUT

3  
YEAR  
WARRANTY

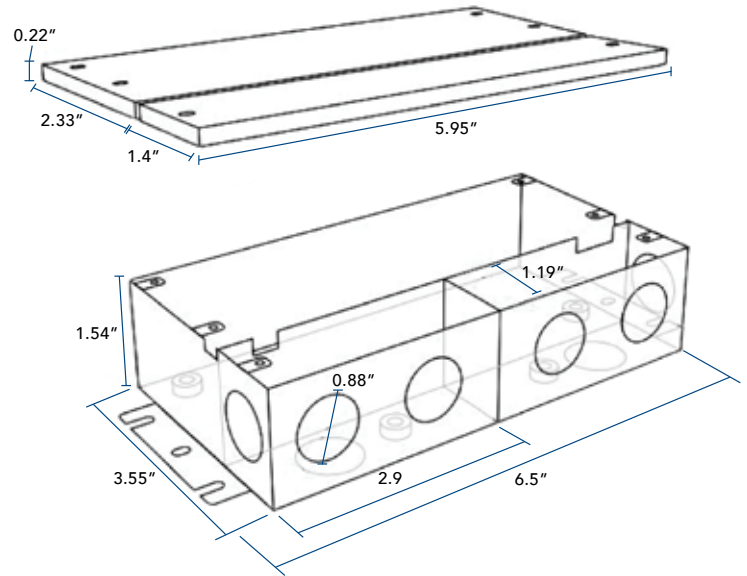
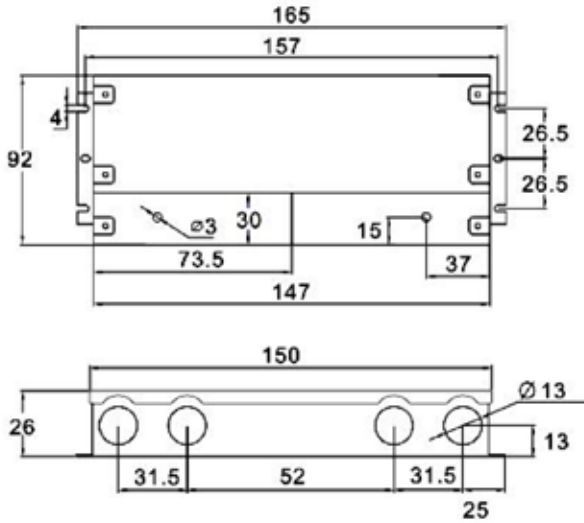
UL  
LISTED

- Part Number: ZL-DRIVER-24V-48W-DIM
- Tape Light 12/24V
- RGBW Tape Light 12/24V

OUTPUT	Rated Power	30W
	DC Voltage	24V
	Rated Current	1.25A
	Voltage Tolerance	±0.5V
	Voltage Regulation	±0.5%
	Load Regulation	±1%
INPUT	Voltage Range	120/277VAC
	Frequency Range	47-63HZ
	Power Factor (Typ.) @ Full Load	0.99@120VAC 0.97@277VAC
	THD (Typ.) @ Full Load	<20%
	Efficiency (Typ.) @ Full Load	79%
	AC Current (Max)	0.5A@100VAC
	Inrush Current (Typ.)	7A, 50%, 420us
	Leakage Current	<0.50mA
PROTECTION	Short Circuit	Shut down o/p voltage, re-power on to recover after fault condition removed
	Over Loading	≤120% Hicup mode, recovers automatically after fault condition is removed
	Over Temperature	212°F (100°C) ±50°F (10°F) shut down o/p voltage, automatically recover after cooling
ENVIRONMENT	Working Temp	-40~+140°F (-40~60°C) *See Derating Curve
	Working Humidity	20~90%RH, non-condensing
	Storage Temp. Humidity	-40~+176°F (-40~80°C), 10~95%RH
	Temp. Coefficient	±0.03% /°C (0~50°C)
	Vibration	10~500Hz, 5G 10 min/1 cycle, period for 60 min each along X,Y,Z axes
SAFETY & EMC	Safety Standards	UL8750 + UL1310
	Withstand Voltage	I/P - O/P: 3.75KVAC
	Isolation Resistance	I/P - O/P: 100M $\Omega$ /500VDC/25°C/70%RH
	EMC Emission	FCC Part 15B

## 30W 24V TRIAC DIMMABLE 120/277V CONSTANT VOLTAGE LED DRIVER

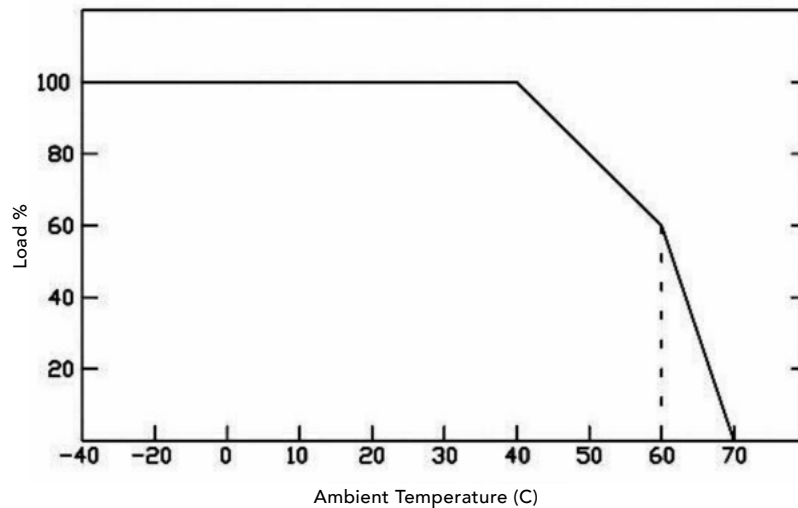
### DIMENSIONS



### DIMMING OPERATION

- The Pulse-Width Modulation (PWM) of output voltage can be adjusted through input terminal of the AC phase line (L) by connection a phase/triac dimmer.
- Usually matching with forward phase, leading edge, magnetic low voltage, triac dimmers, or reverse phase, trailing edge, electric low voltage dimmers.
- Please try to use dimmers with power at least 1.5 times as the output power of the driver.

### DERATING CURVE



**30W 24V TRIAC DIMMABLE 120/277V CONSTANT VOLTAGE LED DRIVER**

**CONNECTING DIAGRAM**

