

Before beginning this product's assembly, installation, or operation, ensure all parts are present. If any part is missing or damaged, do not attempt to assemble, install, or operate the product. Call customer service at 800-679-9243 for replacement parts.

Tools required for assembling (not included): ladder, safety glasses, and drywall saw. The estimated assembly time is 15-20 minutes per fixture.

## INSTALLATION

**Warning:** Turn off electricity at the main fuse box (or circuit breaker) before installation by removing the fuse (or switching off the circuit breaker).

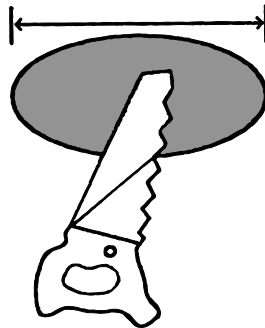
Be careful not to damage the wire insulation covering during fixture installation. Do not permit the power cord or housing to contact any sharp edge surface. Doing so may damage or cut the wire insulation, which could cause serious injury or death from electric shock.

This fixture requires 120-277V power input. The installer must confirm the input power at the source before installation.

### STEP 1

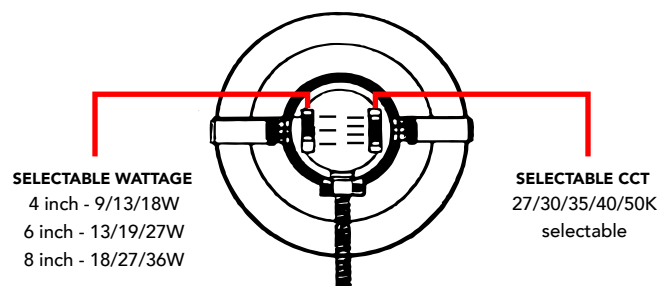
Turn off the power before installation.

Remove the existing fixture if applicable. Determine the location and necessary hole cutout diameter using the supplied table and cut the ceiling hole with the listed approximate diameter.



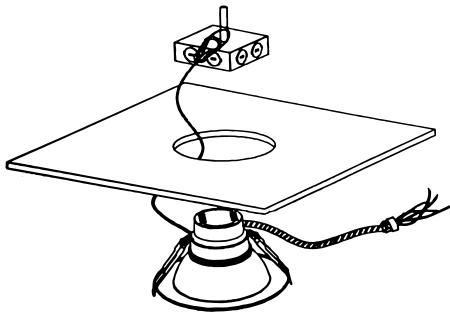
### STEP 2

Choose desired CCT and Wattage by simply switching the switch.



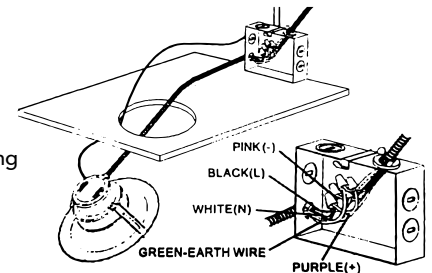
### STEP 3

Attach the carabiner safety clip to the existing fixture housing.



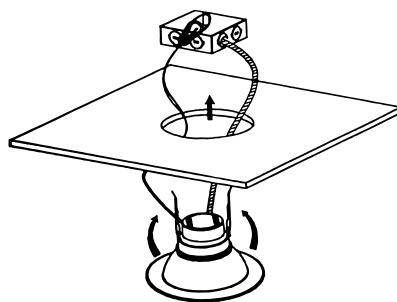
### STEP 4

Connect the AC and dimming supply cables inside the hardwire junction box (not included) by using five wire nuts in the following manner: black to black, white to white, pink to pink or gray, purple to purple, and green earth to ground wire.



### STEP 5

Push the downlight spring-loaded clips upwards and insert the base into the mounting hole. Release the clips, and the fixture will grip flush with the ceiling/drywall.



#### 4 INCH DOWNLIGHT WATTAGE SWITCH

990Lm-1430Lm-1980Lm

#### 6 INCH DOWNLIGHT WATTAGE SWITCH

1430Lm-2090Lm-2970Lm

#### 8 INCH DOWNLIGHT WATTAGE SWITCH

1980Lm-2970Lm-3960Lm

The dimming is 0-10V low wattage dimmer, NOT TRIAC. Dimming and the wires must be connected to the incoming pink and purple luminary cable. Do not connect the dimming wires to any high voltage wires. If not using 0-10V dimming make sure the pink and gray wires are capped off and not exposed. Must be used with a proper 0-10 volt dimmer.