

96W 24V TRIAC DIMMABLE COMPACT 120/277V CONSTANT VOLTAGE LED DRIVER



96W

120/
277V

24V

DIMMABLE

CLASS
2

WET
LOCATION

PWM
OUTPUT

3
YEAR
WARRANTY

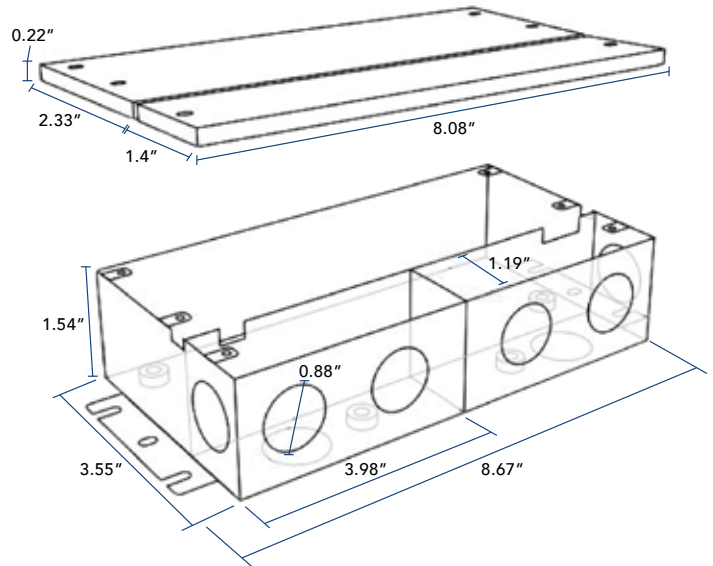
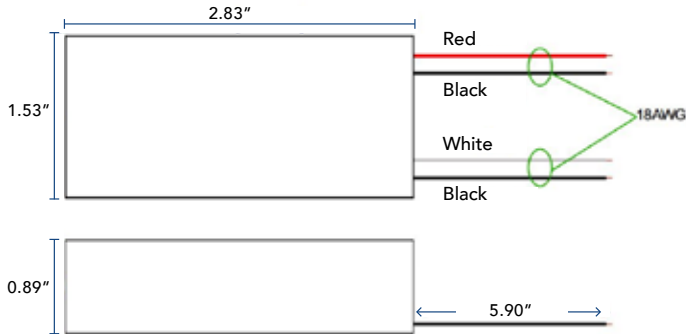
UL
LISTED

- Part Number: ZL-DRIVER-PS-96W-24V
- Tape Light 12/24V
- RGBW Tape Light 12/24V

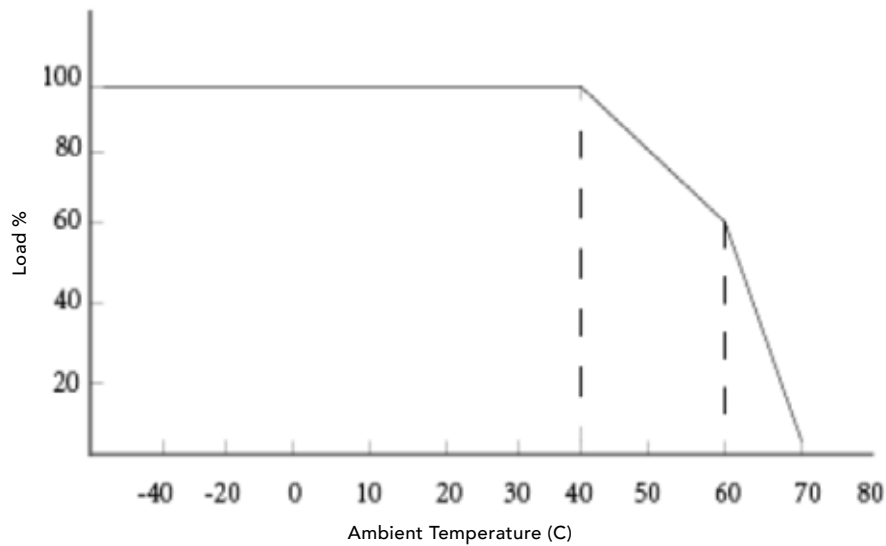
OUTPUT	Rated Power	96W
	DC Voltage	24V
	Rated Current	4A
	Voltage Tolerance	±0.5V
	Voltage Regulation	±0.5%
	Load Regulation	±1%
INPUT	Voltage Range	120/277V
	Frequency Range	47-63Hz
	Power Factor (Typ.) @ Full Load	0.98%@120VAC
	THD (Typ.) @ Full Load	THD< 20% (100% load)
	Efficiency (Typ.) @ Full Load	88%@120VAC
	AC Current (Max)	0.92A
	Inrush Current (Typ.)	-
	Leakage Current	<0.5mA/120VAC
PROTECTION	Short Circuit	Hiccup mode, recovers automatically after fault condition is removed.
	Over Loading	Hiccup mode, recovers automatically after fault condition is removed.
	Over Temperature	-
ENVIRONMENT	Working Temp	-40~+140°F (-40~60°C) *See Derating Curve
	Working Humidity	20-95% RH non-condensing
	Storage Temp. Humidity	-40+90, 10-95% RH
	Temp. Coefficient	±0.03% /°C (0~50°C)
	Vibration	10~500Hz, 5G 10 min/1 cycle, period for 60 min each along X,Y,Z axes
SAFETY & EMC	Safety Standards	UL8750, Class 2
	Withstand Voltage	I/P - O/P: 1.88KVAC

96W 24V TRIAC DIMMABLE COMPACT 120/277V CONSTANT VOLTAGE LED DRIVER

DIMENSIONS



DERATING CURVE



96W 24V TRIAC DIMMABLE COMPACT 120/277V CONSTANT VOLTAGE LED DRIVER

CONNECTING DIAGRAM

