

**192W 24V TRIAC DIMMABLE 120/277V CONSTANT VOLTAGE LED DRIVER**



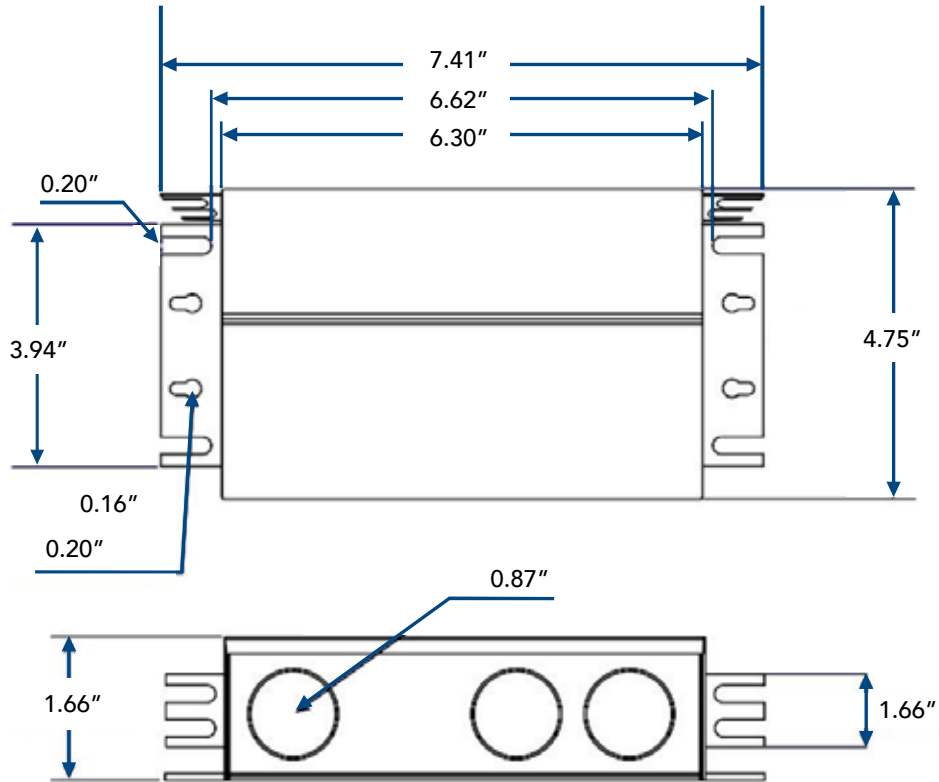
192W 120/277V 24V DIMMABLE WET LOCATION PWM OUTPUT 3 YEAR WARRANTY UL LISTED

- Part Number: ZL-DRIVER-24V-192W-DIM
- Tape Light 12/24V
- RGBW Tape Light 12/24V

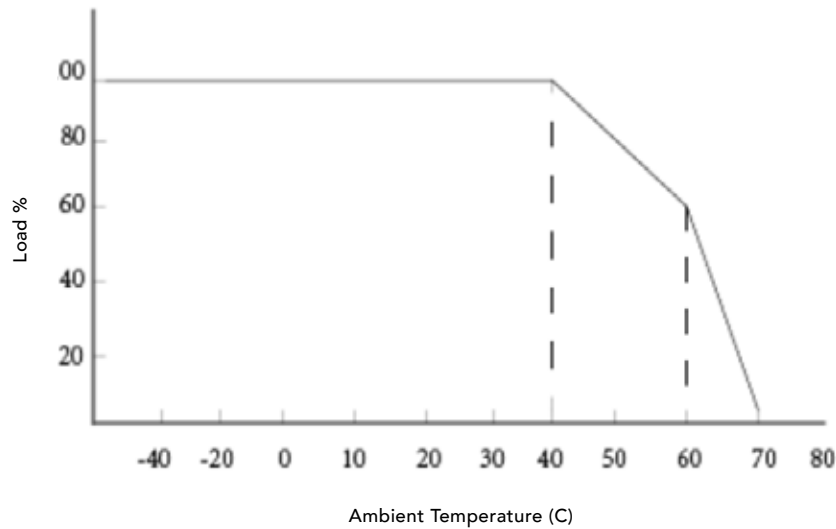
<b>OUTPUT</b>	Rated Power	200W
	DC Voltage	24V
	Rated Current	8.33A
	Voltage Tolerance	±0.5V
	Voltage Regulation	±0.5%
	Load Regulation	±1%
<b>INPUT</b>	Voltage Range	120/277V
	Frequency Range	47-63Hz
	Power Factor (Typ.) @ Full Load	0.98 @ 120VAC - 0.95 @ 277VAC
	THD (Typ.) @ Full Load	<20%
	Efficiency (Typ.) @ Full Load	86%
	AC Current (Max)	2.3A @ 110VAC
	Inrush Current (Typ.)	15A, 50% 1.4ms @ 120VAC - 30A, 50%, 1.4ms@ 277VAC
	Leakage Current	<0.50mA
<b>PROTECTION</b>	Short Circuit	Shut down o/p voltage, re-power on to recover after fault condition removed
	Over Loading	≤120% Hicup mode, recovers automatically after fault condition is removed
	Over Temperature	212° F (100°C) ±50°F (10°F) shut down o/p voltage, automatically recover after cooling
<b>ENVIRONMENT</b>	Working Temp	-40~+140°F (-40~60°C) *See Derating Curve
	Working Humidity	20~95%RH, non-condensing
	Storage Temp. Humidity	-40~+176°F (-40~80°C), 10~95%RH
	Temp. Coefficient	±0.03% /°C (0~50°C)
	Vibration	10~500Hz, 5G 10 min/1 cycle, period for 60 min each along X,Y,Z axes
<b>SAFETY &amp; EMC</b>	Safety Standards	UL8750 + UL1310
	Withstand Voltage	I/P - O/P: 1.88KVAC
	Isolation Resistance	I/P - O/P: 100Mκ/500VDC/25°C/70%RH
	EMC Emission	FCC Part 15B

**192W 24V TRIAC DIMMABLE 120/277V CONSTANT VOLTAGE LED DRIVER**

**DIMENSIONS**



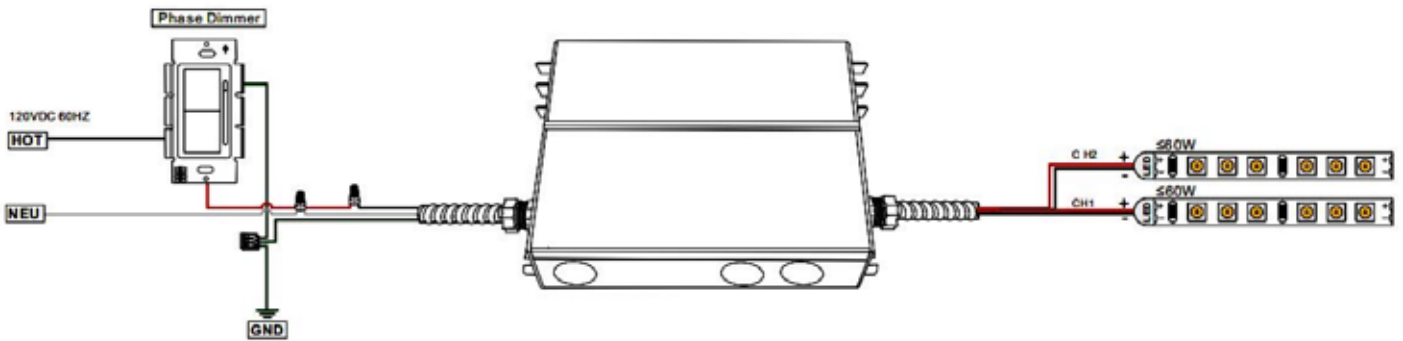
**DERATING CURVE**



**192W 24V TRIAC DIMMABLE 120/277V CONSTANT VOLTAGE LED DRIVER**

**CONNECTING DIAGRAM**

**Using Triac/MLV**



**Using Triac/ELV**

