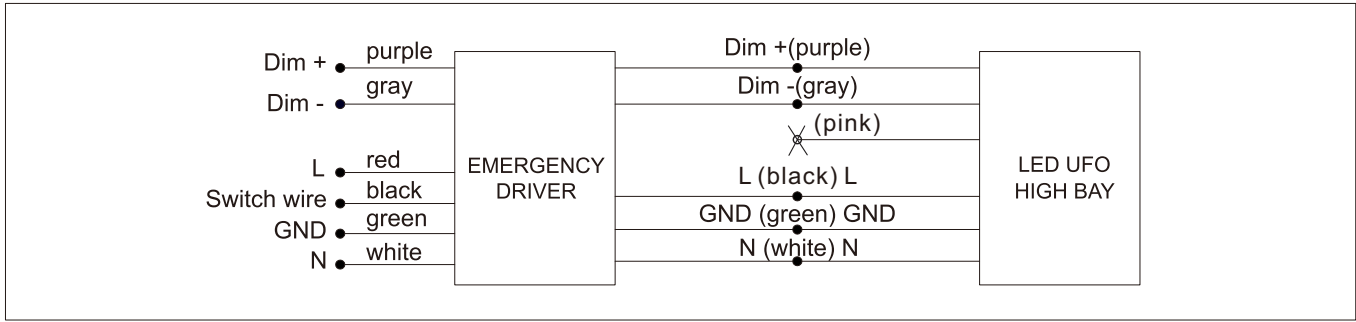


Wiring Connection



The Installation must be carried out by a qualified electrician.