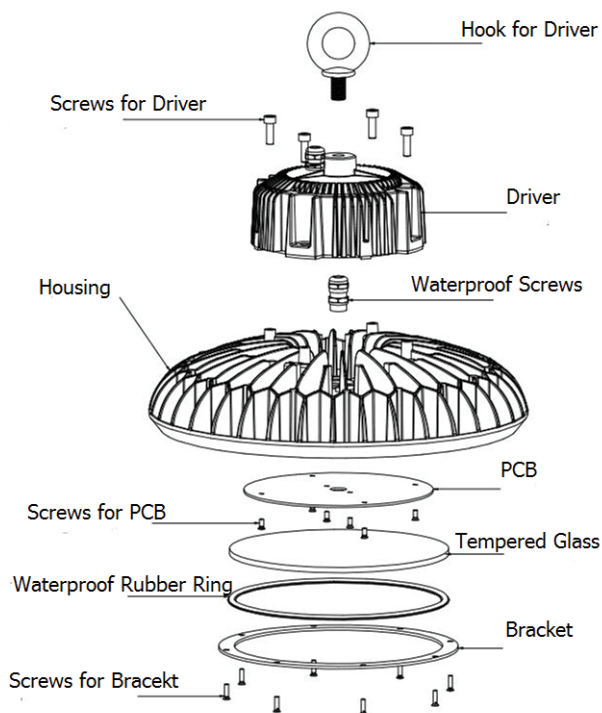
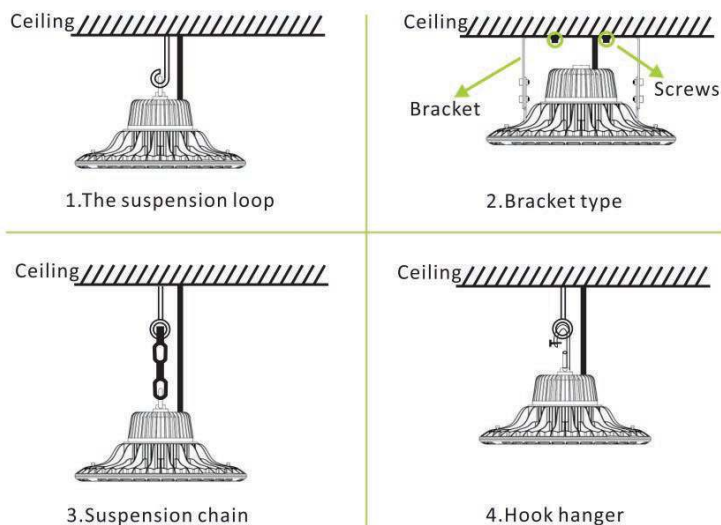


# UFO INSTALLATION SHEET



## Installation

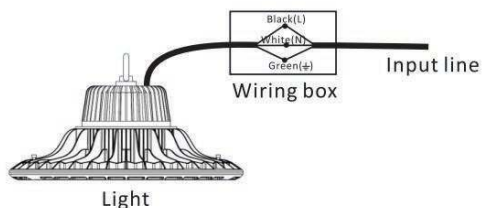
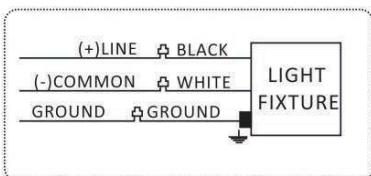
UFO LED Highbay Light has four kinds of installation (Customers can choose to install according to need):



## Wiring

Universal voltage driver permits operation at 100- 277VAC, 50/ 60Hz.

1. Connect the black fixture lead to the (+) LINE supply lead.
2. Connect the white fixture lead to the (-) COMMON supply lead.
3. Connect the green Ground wire from fixture to supply ground.



Step1: Turn off the power before installation.

Step2: Wiring right in the wiring box ("Black" is connected to "L", "White" connect to "N", "Green" to "Ground").

